

Technical data	operation when directly connected to chimney	operation when connected accumulation mass	
		A	A
Energy label	A	A	A
Operating data			
Nominal heat power	5,9 kW	----	----
Efficiency	> 80 %	----	----
Consumption of wood	1,9 kg/h	4,5 kg	3,1 kg
Total heat output of the burning chamber	----	18 kW	12 kW
Average heat output / heat accumulation time ⁵		1,8 kW / 8 h	1,2 kW / 8 h
Mass flow of flue gas	5,4 g/s	15 g/s	11 g/s
Required chimney pressure	12 Pa	12 Pa	15 Pa
Required amount of combustion air	20 m ³ /h	40 m ³ /h	30 m ³ /h
Average flue gas temperature			
on the output	245 °C	395 °C	330 °C
behind 3,2 m of ceramic accumulation system KMS 240 ¹	----	162 °C	----
behind S-accumulation rings (5x S-acc. ring Ø345mm)	----	----	210 °C
Heat distribution			
fireplace insert	64–75 %	35 %	35 %
door glass (single / double)	36 / 25 %	36 / 25 %	36 / 25 %
additional accumulation mass	----	29–40 %	29–40 %
Information for ventilated builds			
Minimal grill area supply / outgoing	600 / 700 cm ²	600 / 700 cm ²	600 / 700 cm ²
Minimum distance from insulated areas / floor	80 / 0 mm	80 / 0 mm	
Reference insulation ² ceiling / back wall / side wall / floor	120 / 80 / 80 / 0 mm	120 / 80 / 80 / 0 mm	
Calciumsilicate insulation ³ ceiling / back wall / side wall / floor	90 / 60 / 60 / 0 mm	90 / 60 / 60 / 0 mm	
Information for non-ventilated builds (closed grills)			
Minimum radiant area ⁴	suitable	4 m ²	
Minimum distance from insulated areas / floor	80 / 20 mm	80 / 20 mm	
Reference insulation ² ceiling / back wall / side wall / floor	160 / 100 / 100 / 20 mm	160 / 100 / 100 / 20 mm	
Calciumsilicate insulation ³ ceiling / back wall / side wall / floor	120 / 75 / 75 / 20 mm	120 / 75 / 75 / 20 mm	
General technical information			
Total weight / lining weight	circa 135 / 45 kg	circa 135 / 45 kg	
Burning chamber dimensions (width x depth)	355 x 205 mm		
Combustion air connection	Ø 125 mm		
Use in non-ventilated accumulation builds according to craft rules	suitable		
Tested according to	EN 13229		
Meets values	1. BImSchV (Stufe2), 15a BVG, NS 3059		

1 Listed value from testing. For accurate results is evaluation of each system in the Ortnr / KOV program necessary

2 Mineral wool according to AGI-Q 132

3 Example SkamoEnclosure Board 225 kg/m³

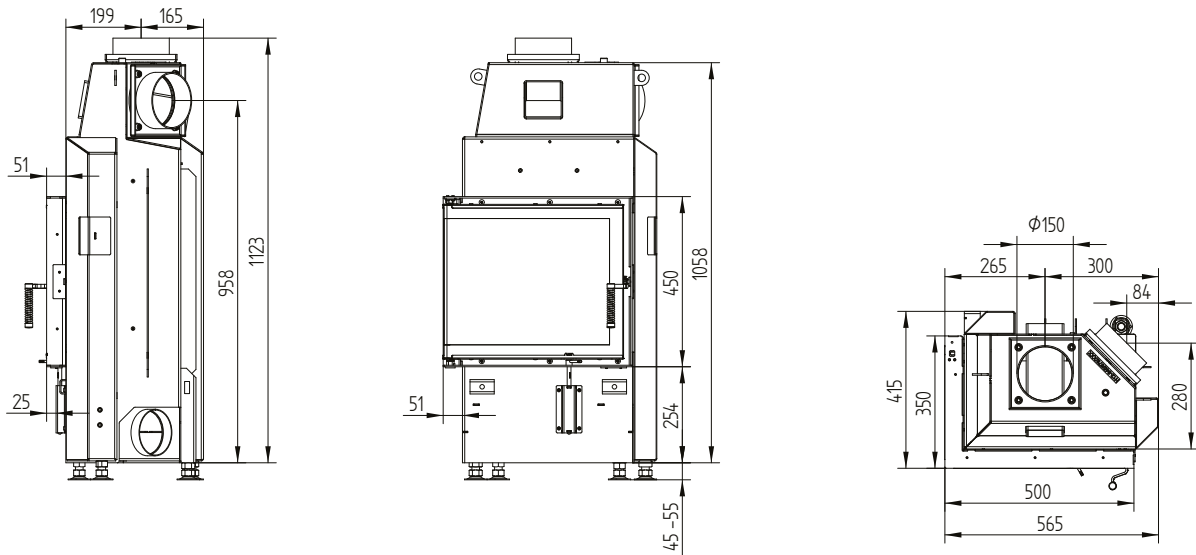
4 Depends on accumulation period and material characteristics. Listed values calculated with average specific heat output = approx. 500 W/m²

5 Storage operation, one wood charge for storage duration, with closed construction and efficiency > 80%

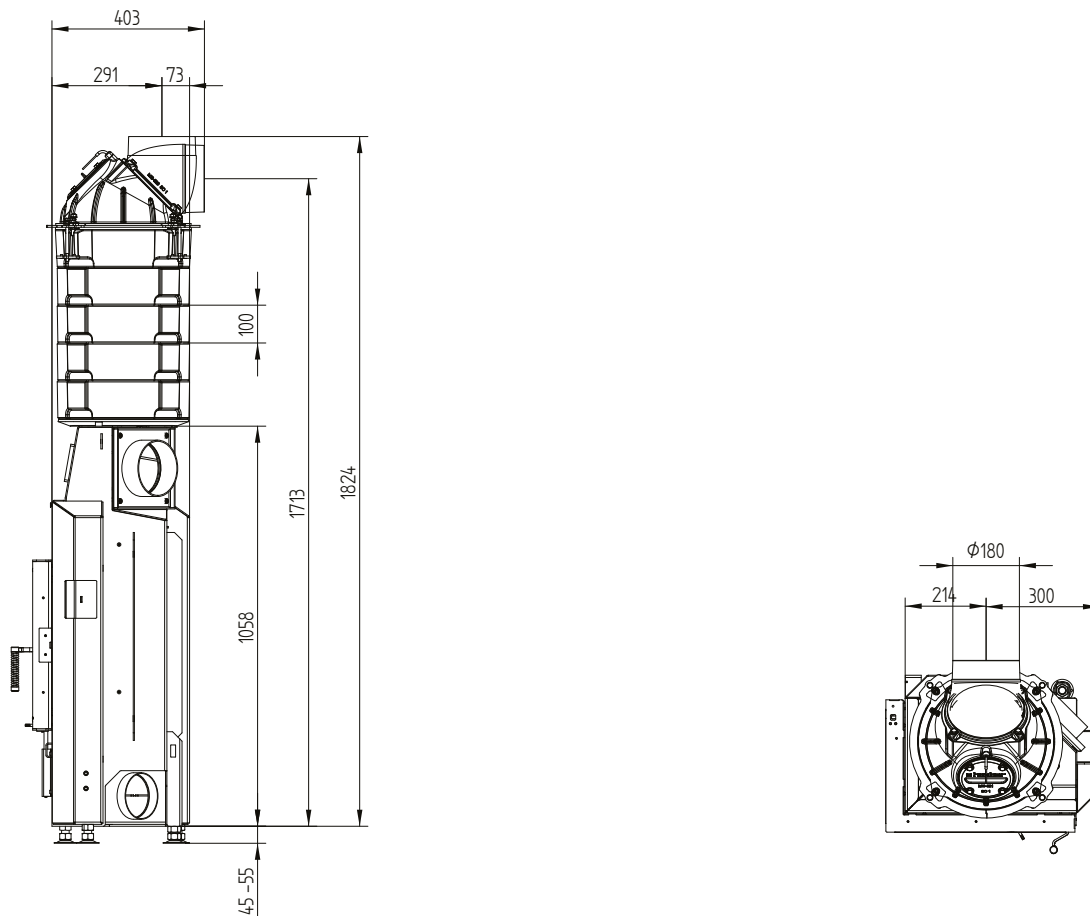
ECKA 50/35/45L

Technical data
Version 09/2023

ECKA 50/35/45L left side opening



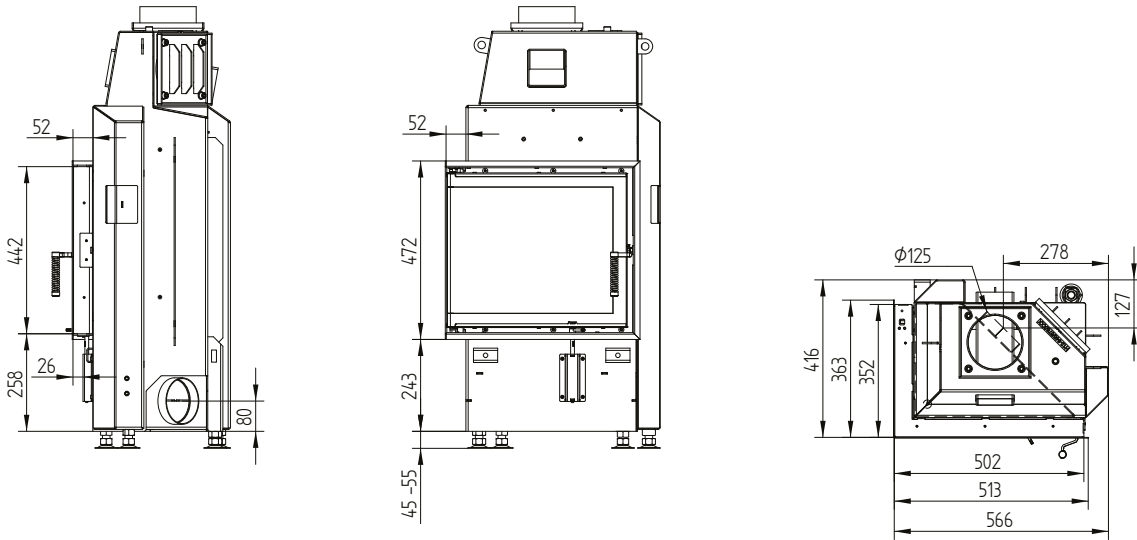
ECKA 50/35/45L left side opening S-accumulation set



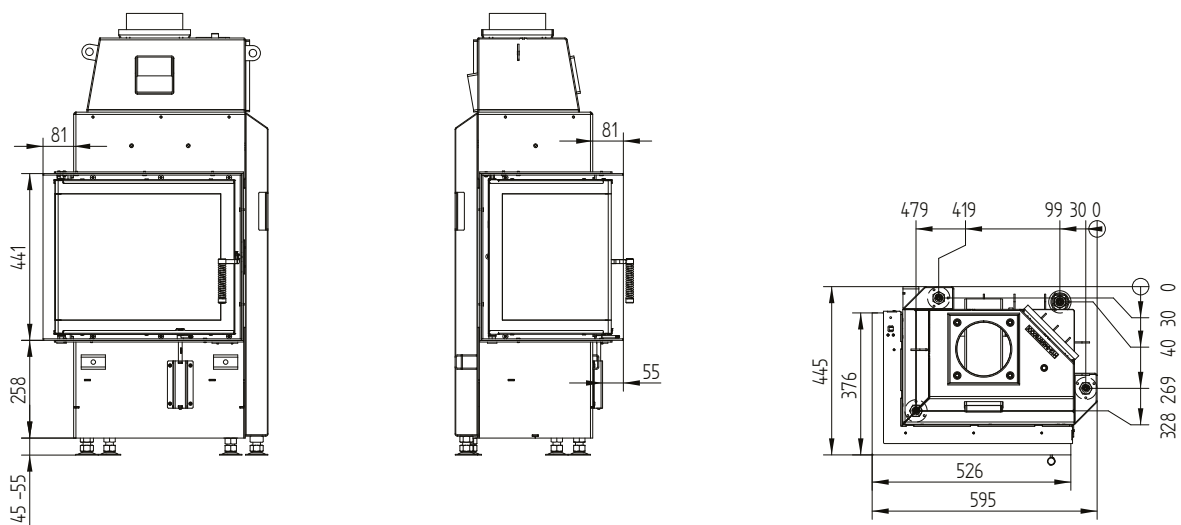
ECKA 50/35/45L

Technical data
Version 09/2023

Cover frame 50/35/45L left side opening 6sides 60 mm 1 x 90° / air inlet



Build-on frame 50/35/45L left side opening 6sides 80 mm / feet



Technical data	operation when directly connected to chimney	operation when connected accumulation mass	
		A	A
Energy label	A	A	A
Operating data			
Nominal heat power	5,9 kW	----	----
Efficiency	> 80 %	----	----
Consumption of wood	1,9 kg/h	4,5 kg	3,1 kg
Total heat output of the burning chamber	----	18 kW	12 kW
Average heat output / heat accumulation time ⁵		1,8 kW / 8 h	1,2 kW / 8 h
Mass flow of flue gas	5,4 g/s	15 g/s	11 g/s
Required chimney pressure	12 Pa	12 Pa	15 Pa
Required amount of combustion air	20 m ³ /h	40 m ³ /h	30 m ³ /h
Average flue gas temperature			
on the output	245 °C	395 °C	330 °C
behind 3,2 m of ceramic accumulation system KMS 240 ¹	----	162 °C	----
behind S-accumulation rings (5x S-acc. ring Ø345mm)	----	----	210 °C
Heat distribution			
fireplace insert	64–75 %	35 %	35 %
door glass (single / double)	36 / 25 %	36 / 25 %	36 / 25 %
additional accumulation mass	----	29–40 %	29–40 %
Information for ventilated builds			
Minimal grill area supply / outgoing	600 / 700 cm ²	600 / 700 cm ²	600 / 700 cm ²
Minimum distance from insulated areas / floor	80 / 0 mm	80 / 0 mm	
Reference insulation ² ceiling / back wall / side wall / floor	120 / 80 / 80 / 0 mm	120 / 80 / 80 / 0 mm	
Calciumsilicate insulation ³ ceiling / back wall / side wall / floor	90 / 60 / 60 / 0 mm	90 / 60 / 60 / 0 mm	
Information for non-ventilated builds (closed grills)			
Minimum radiant area ⁴	suitable	4 m ²	
Minimum distance from insulated areas / floor	80 / 20 mm	80 / 20 mm	
Reference insulation ² ceiling / back wall / side wall / floor	160 / 100 / 100 / 20 mm	160 / 100 / 100 / 20 mm	
Calciumsilicate insulation ³ ceiling / back wall / side wall / floor	120 / 75 / 75 / 20 mm	120 / 75 / 75 / 20 mm	
General technical information			
Total weight / lining weight	circa 135 / 45 kg	circa 135 / 45 kg	
Burning chamber dimensions (width x depth)	355 x 205 mm		
Combustion air connection	Ø 125 mm		
Use in non-ventilated accumulation builds according to craft rules	suitable		
Tested according to	EN 13229		
Meets values	1. BImSchV (Stufe2), 15a BVG, NS 3059		

1 Listed value from testing. For accurate results is evaluation of each system in the Ortnr / KOV program necessary

2 Mineral wool according to AGI-Q 132

3 Example SkamoEnclosure Board 225 kg/m³

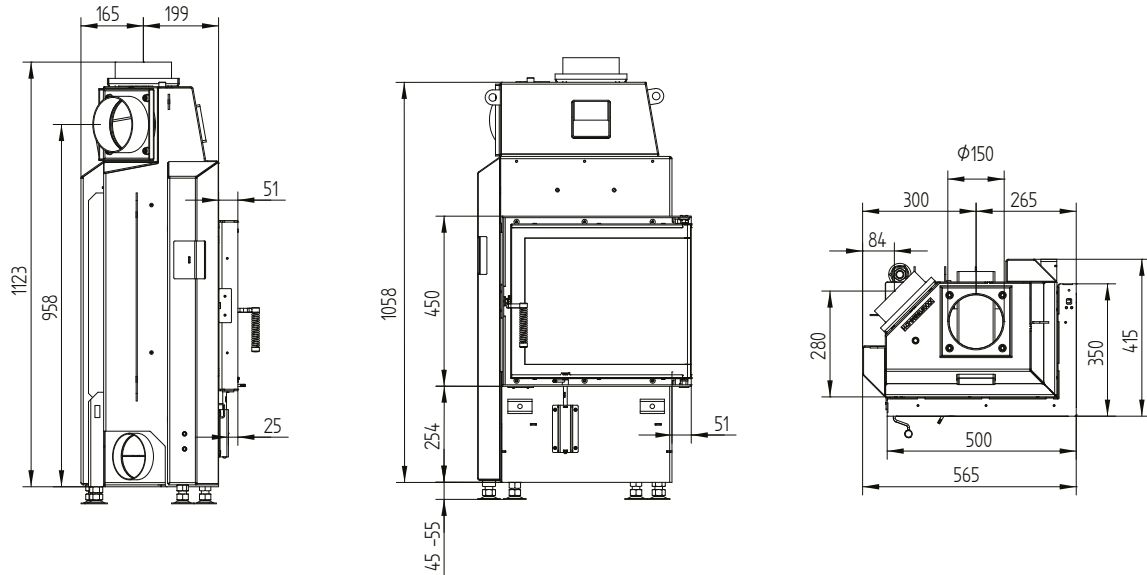
4 Depends on accumulation period and material characteristics. Listed values calculated with average specific heat output = approx. 500 W/m²

5 Storage operation, one wood charge for storage duration, with closed construction and efficiency > 80%

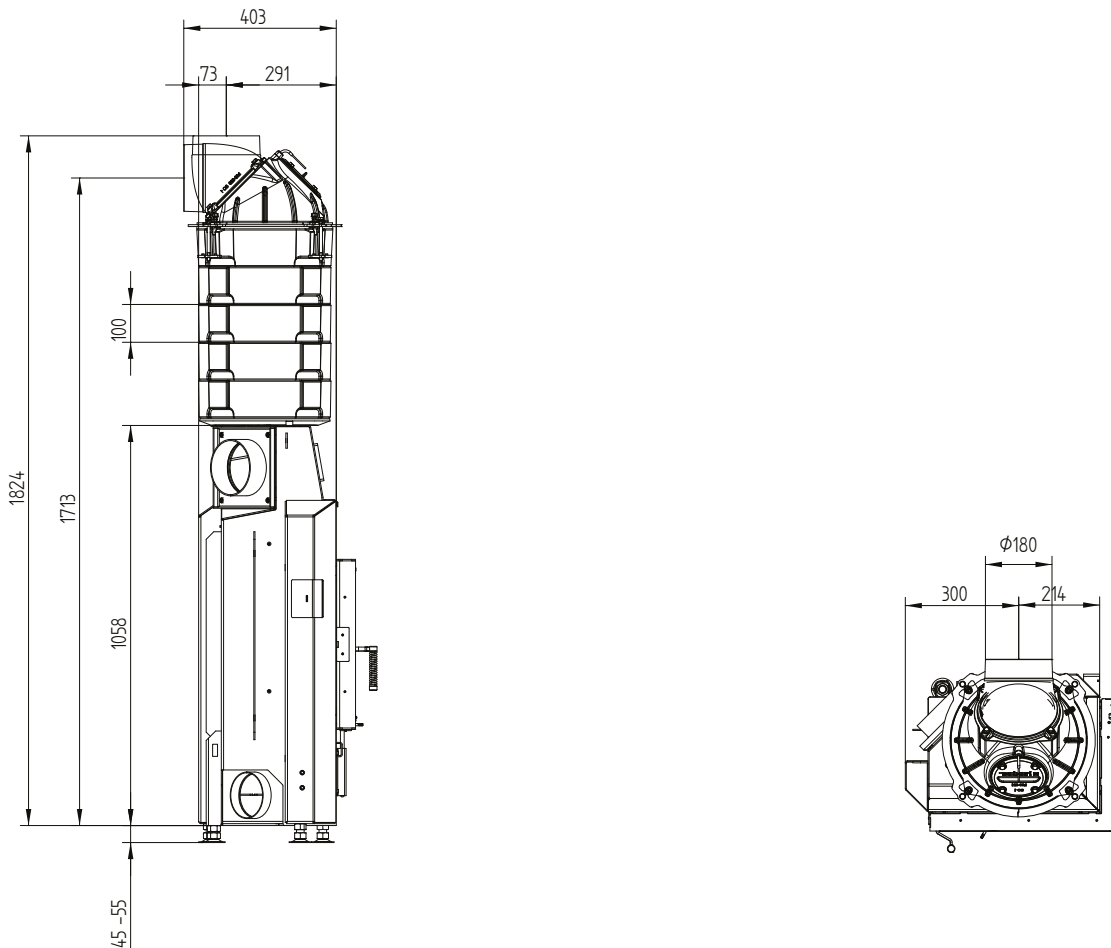
ECKA 50/35/45R

Technical data
Version 09/2023

ECKA 50/35/45R right side opening



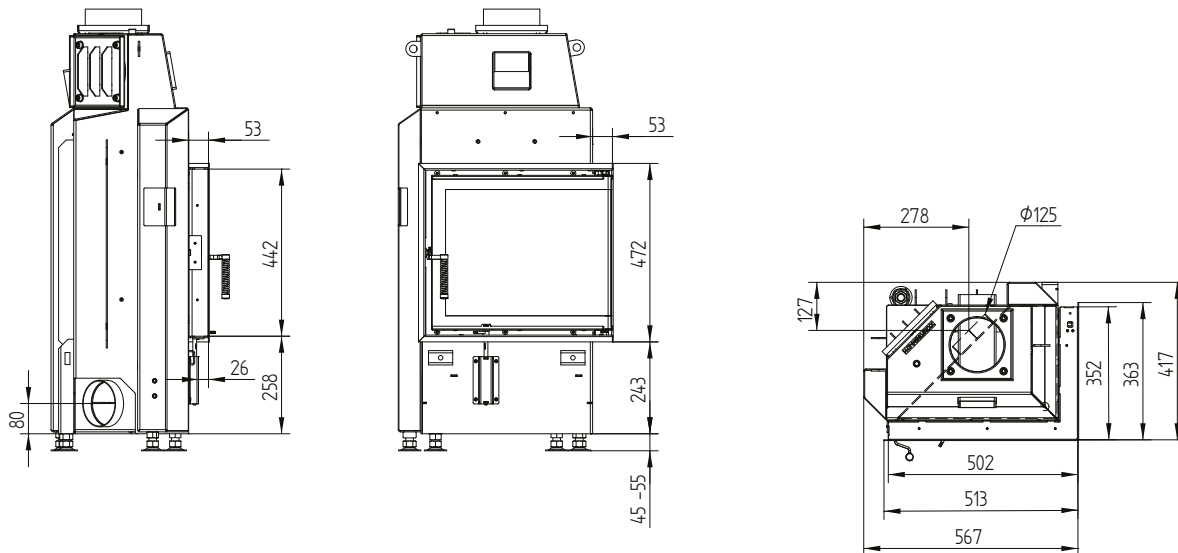
ECKA 50/35/45R right side opening S-accumulation set



ECKA 50/35/45R

Technical data
Version 09/2023

Cover frame 50/35/45R right side opening 6sides 60 mm 1 x 90° / air inlet



Build-on frame 50/35/45R right side opening 6sides 80 mm / feet

