

Technical data

	operation when directly connected to chimney		operation when connected accumulation mass	
	cupola	hot air exchanger	cupola	adaptor
Energy label	A+	A+	A+	A+
Operating data				
Nominal heat power	8 kW	12 kW	----	----
Efficiency	> 80 %	> 80 %	----	----
Consumption of wood	2,4 kg/h	3,6 kg/h	5,5 kg	5,5 kg
Total heat output of the burning chamber	----	----	22 kW	22 kW
Average heat output / heat accumulation time ⁵	----	----	2,2 kW / 8 h	2,2 kW / 8 h
Mass flow of flue gas	8 g/s	11 g/s	15 g/s	15 g/s
Required chimney pressure	12 Pa	12 Pa	12 Pa	15 Pa
Required amount of combustion air	25 m ³ /h	35 m ³ /h	50 m ³ /h	50 m ³ /h
Average flue gas temperature				
on the output	249 °C	280 °C	347 °C	354 °C
behind 3,4 m of ceramic accumulation system KMS 300 ¹	----	----	183 °C	----
behind accumulation rings (5x acc. ring Ø440mm)	----	----	----	210 °C
Heat distribution				
fireplace insert	58–70 %	58–70 %	34 %	32 %
door glass (single / double)	42 / 30 %	42 / 30 %	42 / 30 %	42 / 30 %
additional accumulation mass	----	----	24–36 %	26–38 %
Information for ventilated builds				
Minimal grill area supply / outgoing	700 / 850 cm ²	1050 / 1250 cm ²	1050 / 1250 cm ²	1050 / 1250 cm ²
Minimum distance from insulated areas / floor	50 / 0 mm		50 / 0 mm	
Reference insulation ² ceiling / back wall / side wall / floor	140 / 100 / 100 / 0 mm		140 / 100 / 100 / 0 mm	
Calciumsilicate insulation ³ ceiling / back wall / side wall / floor	110 / 80 / 80 / 0 mm		110 / 80 / 80 / 0 mm	
Information for non-ventilated builds (closed grills)				
Minimum radiant area ⁴	suitable		4,5 m ²	
Minimum distance from insulated areas / floor	50 / 20 mm		50 / 20 mm	
Reference insulation ² ceiling / back wall / side wall / floor	190 / 140 / 140 / 20 mm		160 / 100 / 100 / 20 mm	
Calciumsilicate insulation ³ ceiling / back wall / side wall / floor	140 / 110 / 110 / 20 mm		140 / 110 / 110 / 20 mm	
General technical information				
Total weight / lining weight	circa 298 / 86 kg		circa 298 / 86 kg	
Burning chamber dimensions (width x depth)	605 x 305 mm			
Combustion air connection	Ø 125 mm			
Use in non-ventilated accumulation builds according to craft rules	suitable			
Tested according to	EN 13229			
Meets values	1. BlmSchV (Stufe2), 15a BVG, NS 3059			

1 Listed value from testing. For accurate results is evaluation of each system in the Ortner / KOV program necessary

2 Mineral wool according to AGI-Q 132

3 Example SkamoEnclosure Board 225 kg/m³

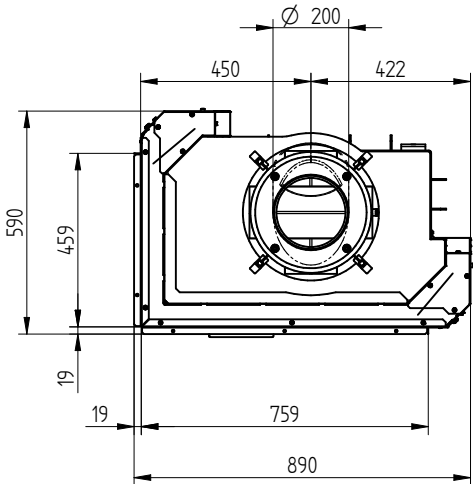
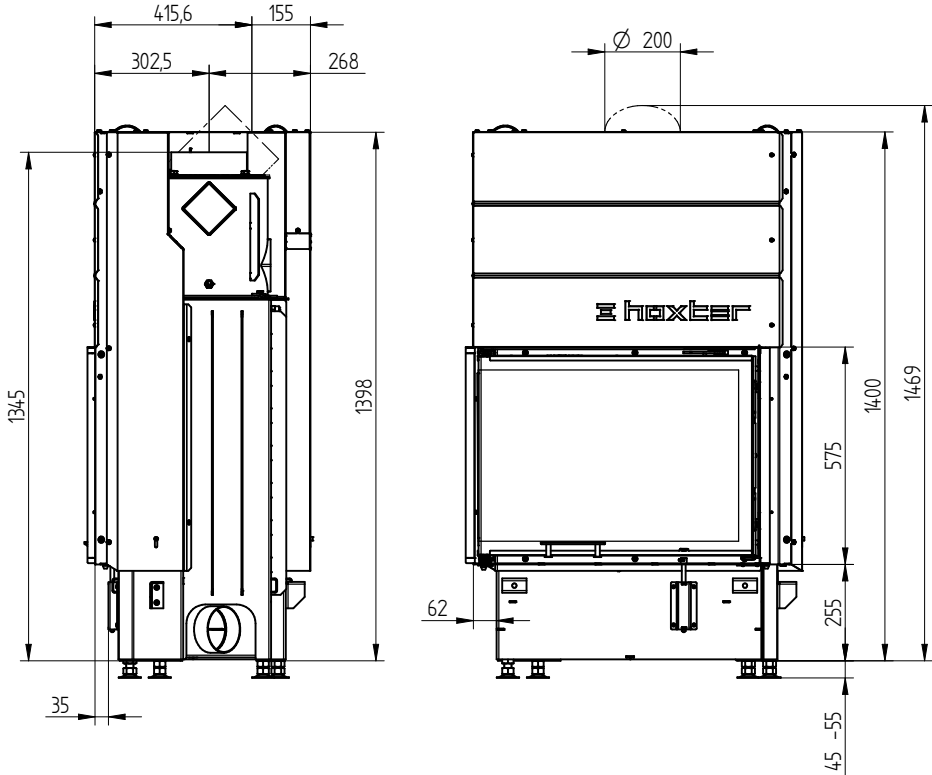
4 Depends on accumulation period and material characteristics. Listed values calculated with average specific heat output = approx. 500 W/m²

5 Storage operation, one wood charge for storage duration, with closed construction and efficiency > 80%

ECKA 76/45/57Lh

Technical data
Version 09/2023

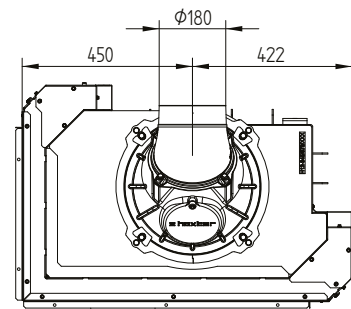
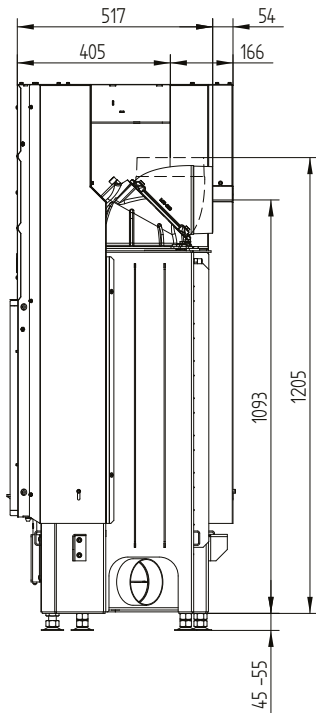
ECKA 76/45/57Lh left liftdoor hot air exchanger vertical / smoke outlet 45°



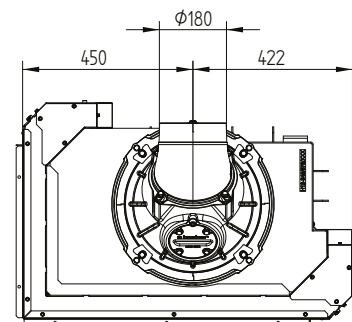
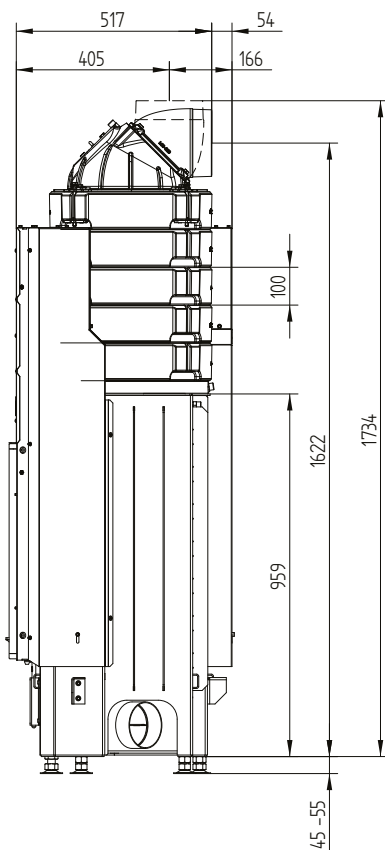
ECKA 76/45/57Lh

Technical data
Version 09/2023

ECKA 76/45/57Lh left liftdoor cupola



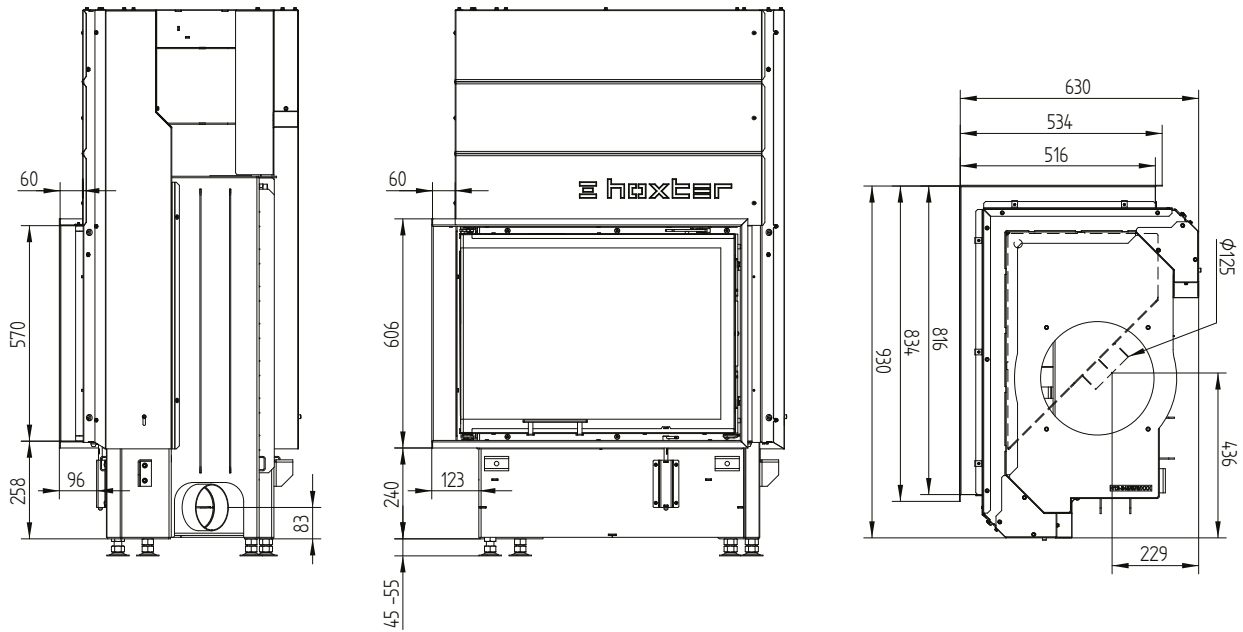
ECKA 76/45/57Lh left liftdoor accumulation set



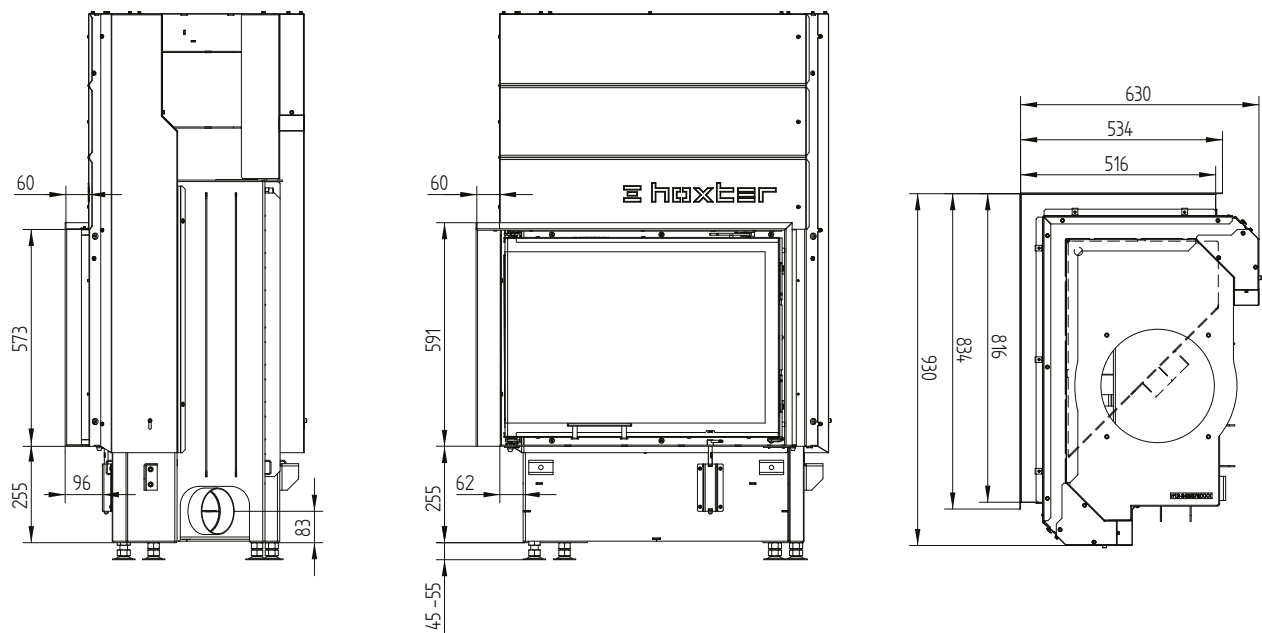
ECKA 76/45/57Lh

Technical data
Version 09/2023

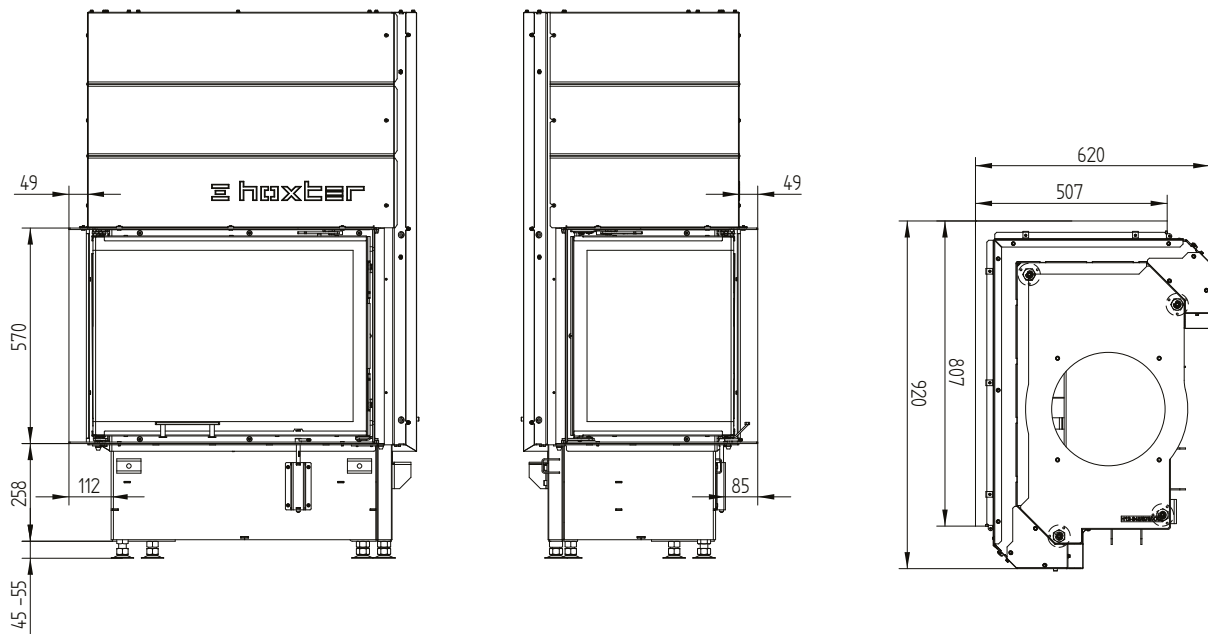
Cover frame 76/45/57Lh left liftdoor 6sides 1 x 90° 60 mm / air inlet



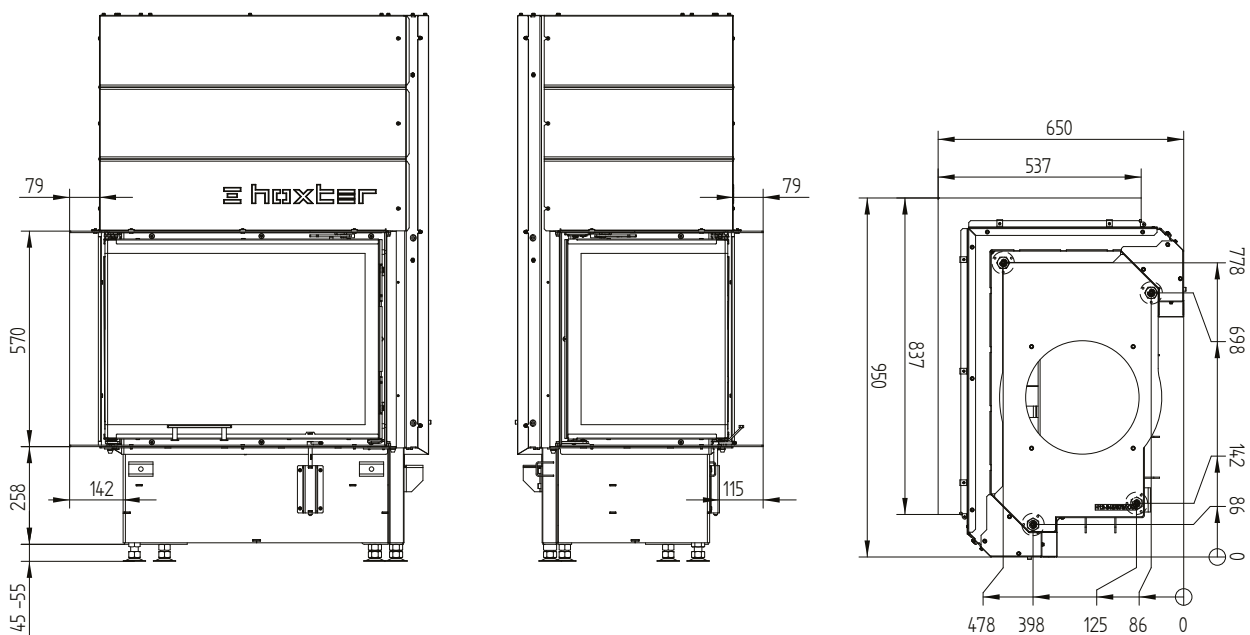
Cover frame 76/45/57Lh left liftdoor 4sides 1 x 90° 60 mm



Build-on frame 76/45/57Lh left liftdoor 6sides 50 mm



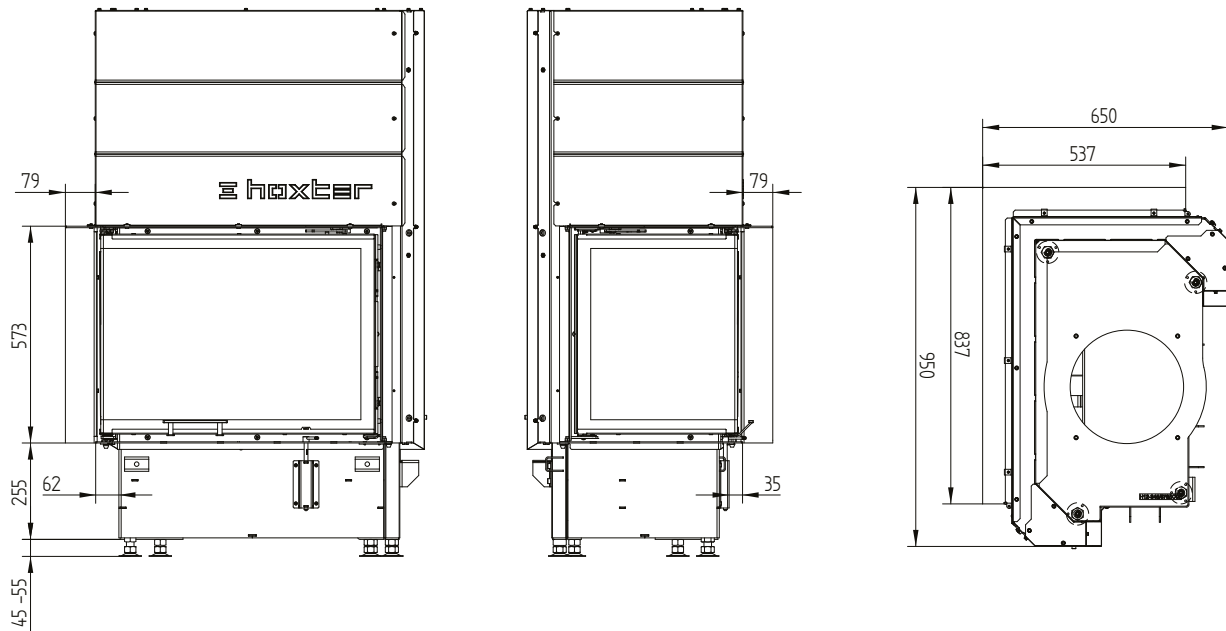
Build-on frame 76/45/57Lh left liftdoor 6sides 80 mm / feet



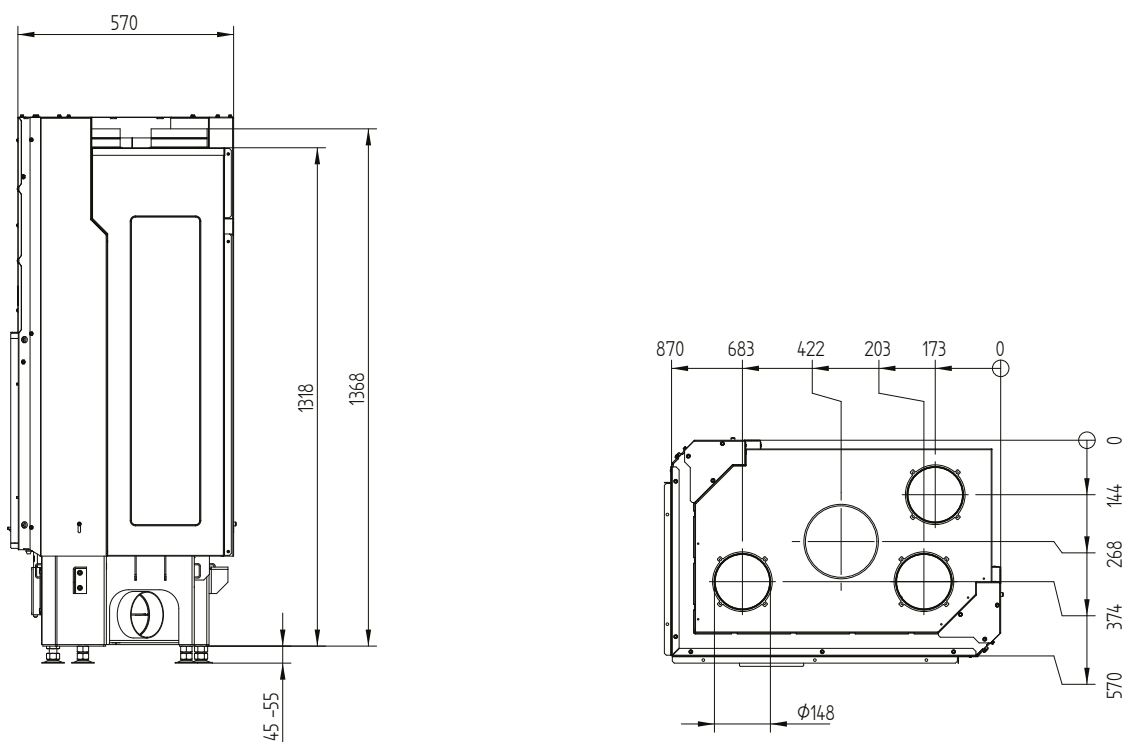
ECKA 76/45/57Lh

Technical data
Version 09/2023

Build-on frame 76/45/57Lh left liftdoor 4sides 80 mm



Convection jacket ECKA 76/45/57Lh liftdoor hot air exchanger vertical



Technical data

	operation when directly connected to chimney		operation when connected accumulation mass	
	cupola	hot air exchanger	cupola	adaptor
Energy label	A+	A+	A+	A+
Operating data				
Nominal heat power	8 kW	12 kW	----	----
Efficiency	> 80 %	> 80 %	----	----
Consumption of wood	2,4 kg/h	3,6 kg/h	5,5 kg	5,5 kg
Total heat output of the burning chamber	----	----	22 kW	22 kW
Average heat output / heat accumulation time ⁵	----	----	2,2 kW / 8 h	2,2 kW / 8 h
Mass flow of flue gas	8 g/s	11 g/s	15 g/s	15 g/s
Required chimney pressure	12 Pa	12 Pa	12 Pa	15 Pa
Required amount of combustion air	25 m³/h	35 m³/h	50 m³/h	50 m³/h
Average flue gas temperature				
on the output	249 °C	280 °C	347 °C	354 °C
behind 3,4 m of ceramic accumulation system KMS 300 ¹	----	----	183 °C	----
behind accumulation rings (5x acc. ring Ø440mm)	----	----	----	210 °C
Heat distribution				
fireplace insert	58–70 %	58–70 %	34 %	32 %
door glass (single / double)	42 / 30 %	42 / 30 %	42 / 30 %	42 / 30 %
additional accumulation mass	----	----	24–36 %	26–38 %
Information for ventilated builds				
Minimal grill area supply / outgoing	700 / 850 cm²	1050 / 1250 cm²	1050 / 1250 cm²	1050 / 1250 cm²
Minimum distance from insulated areas / floor	50 / 0 mm		50 / 0 mm	
Reference insulation ² ceiling / back wall / side wall / floor	140 / 100 / 100 / 0 mm		140 / 100 / 100 / 0 mm	
Calciumsilicate insulation ³ ceiling / back wall / side wall / floor	110 / 80 / 80 / 0 mm		110 / 80 / 80 / 0 mm	
Information for non-ventilated builds (closed grills)				
Minimum radiant area ⁴	suitable		4,5 m²	
Minimum distance from insulated areas / floor	50 / 20 mm		50 / 20 mm	
Reference insulation ² ceiling / back wall / side wall / floor	190 / 140 / 140 / 20 mm		160 / 100 / 100 / 20 mm	
Calciumsilicate insulation ³ ceiling / back wall / side wall / floor	140 / 110 / 110 / 20 mm		140 / 110 / 110 / 20 mm	
General technical information				
Total weight / lining weight	circa 298 / 86 kg		circa 298 / 86 kg	
Burning chamber dimensions (width x depth)	605 x 305 mm			
Combustion air connection	Ø 125 mm			
Use in non-ventilated accumulation builds according to craft rules	suitable			
Tested according to	EN 13229			
Meets values	1. BImSchV (Stufe2), 15a BVG, NS 3059			

1 Listed value from testing. For accurate results is evaluation of each system in the Ortnr / KOV program necessary

2 Mineral wool according to AGI-Q 132

3 Example SkamoEnclosure Board 225 kg/m³

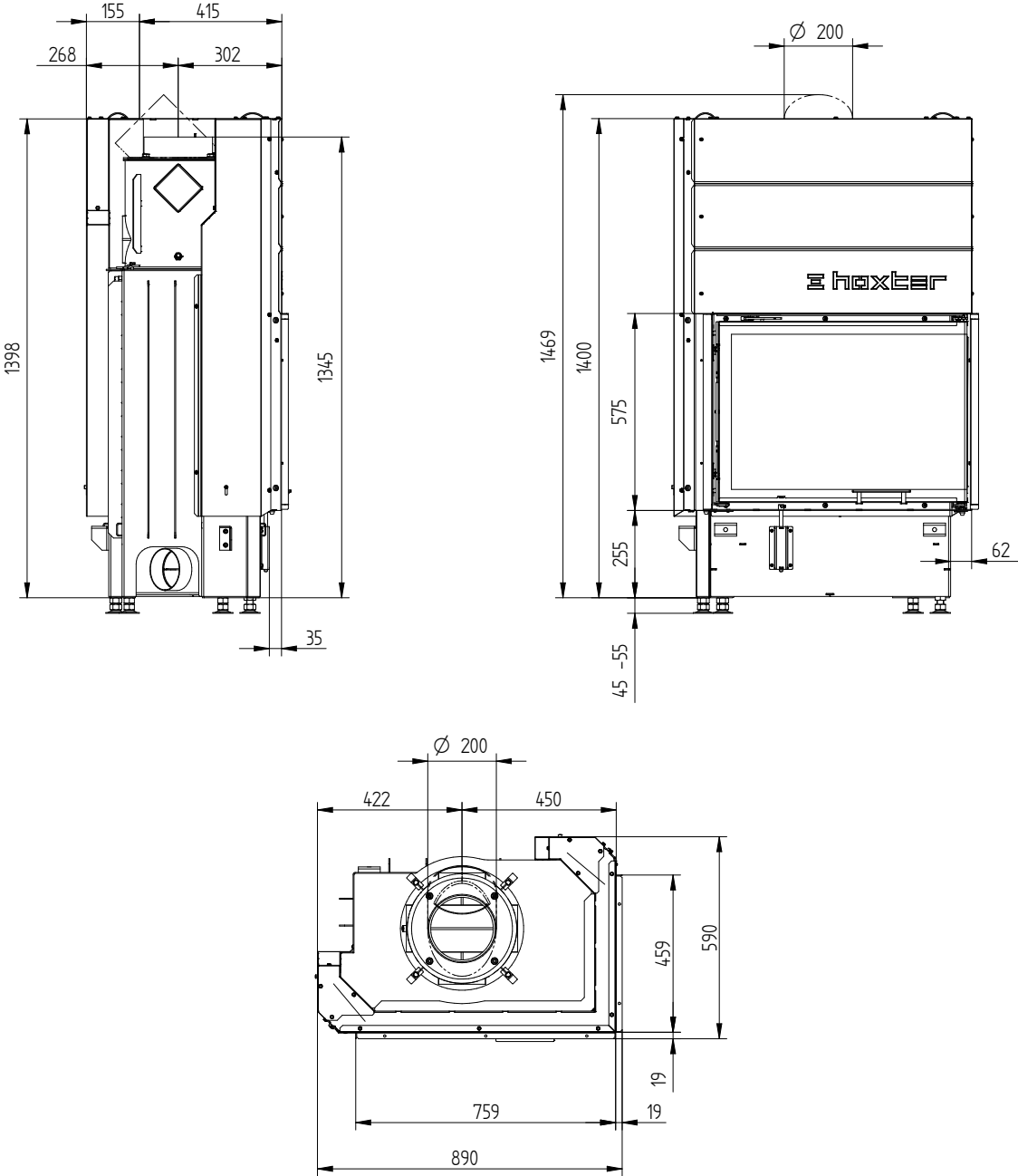
4 Depends on accumulation period and material characteristics. Listed values calculated with average specific heat output = approx. 500 W/m²

5 Storage operation, one wood charge for storage duration, with closed construction and efficiency > 80%

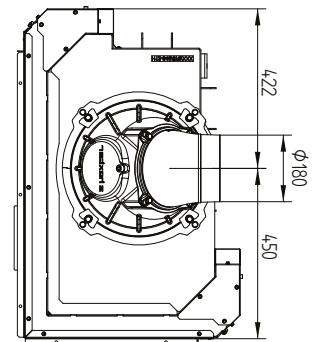
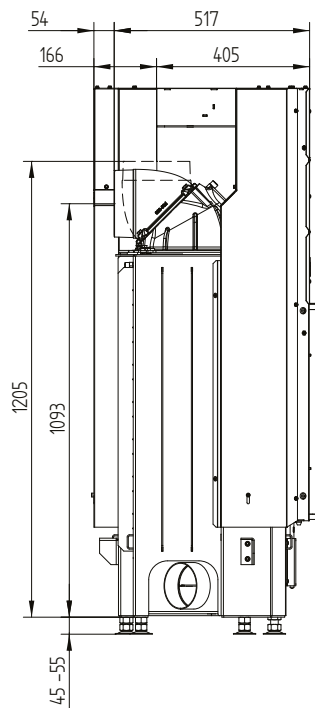
ECKA 76/45/57Rh

Technical data
Version 09/2023

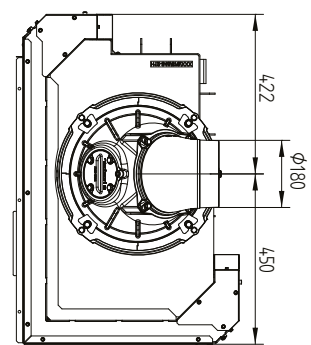
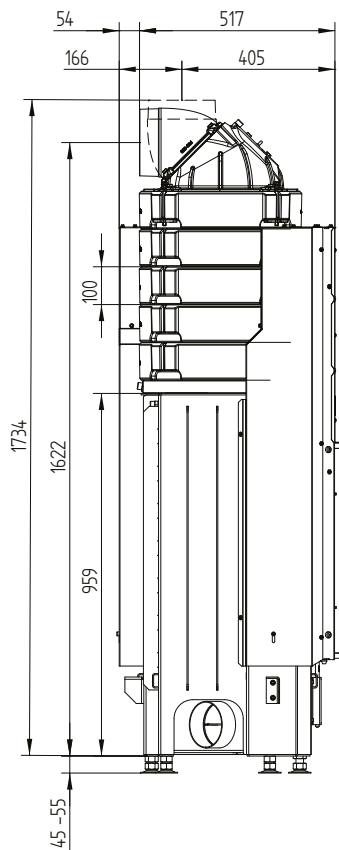
ECKA 76/45/57Rh right liftdoor hot air exchanger vertical / smoke outlet 45°



ECKA 76/45/57Rh right liftdoor cupola



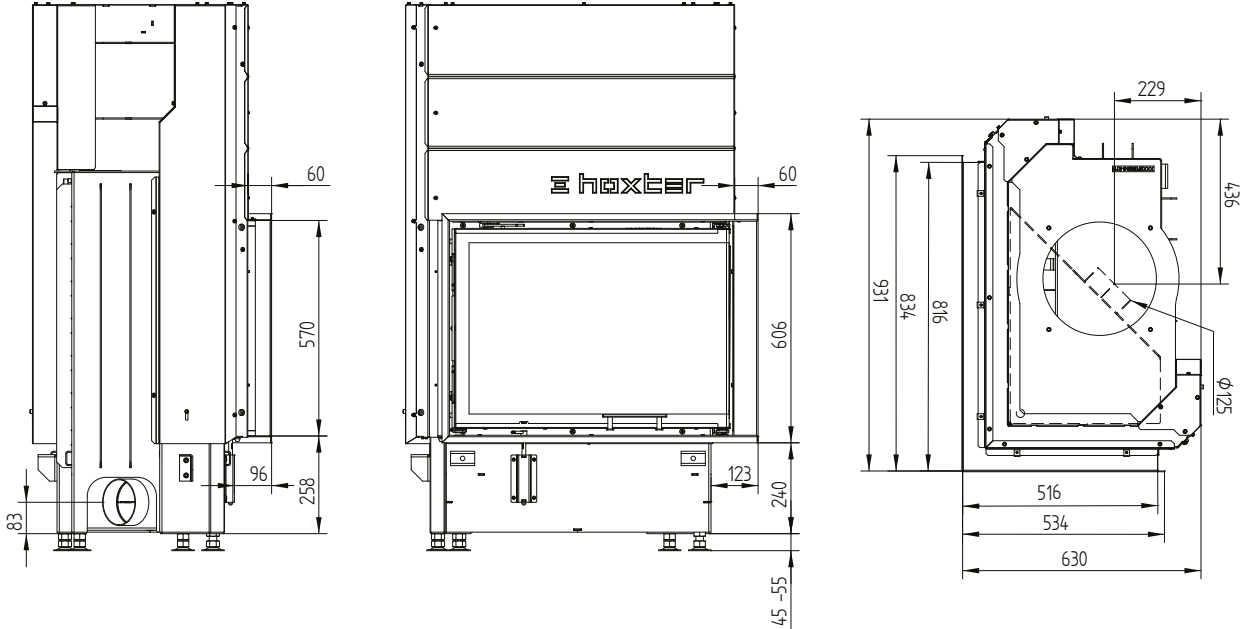
ECKA 76/45/57Rh right liftdoor accumulation set



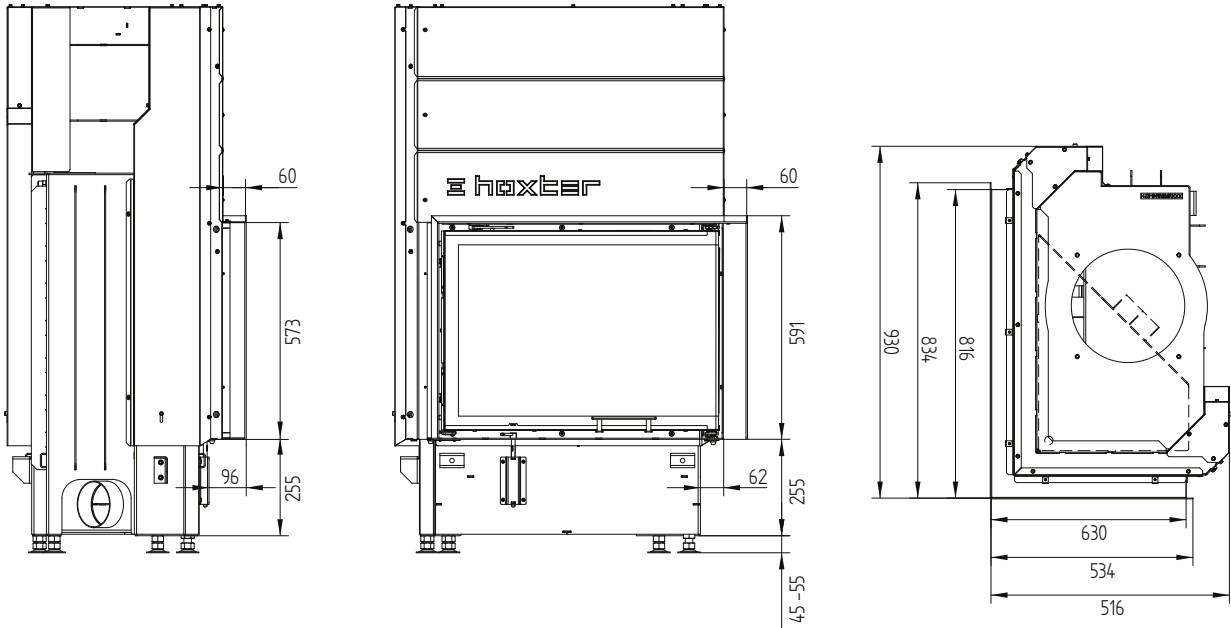
ECKA 76/45/57Rh

Technical data
Version 09/2023

Cover frame 76/45/57Rh right liftdoor 6sides 1 x 90° 60 mm / air inlet



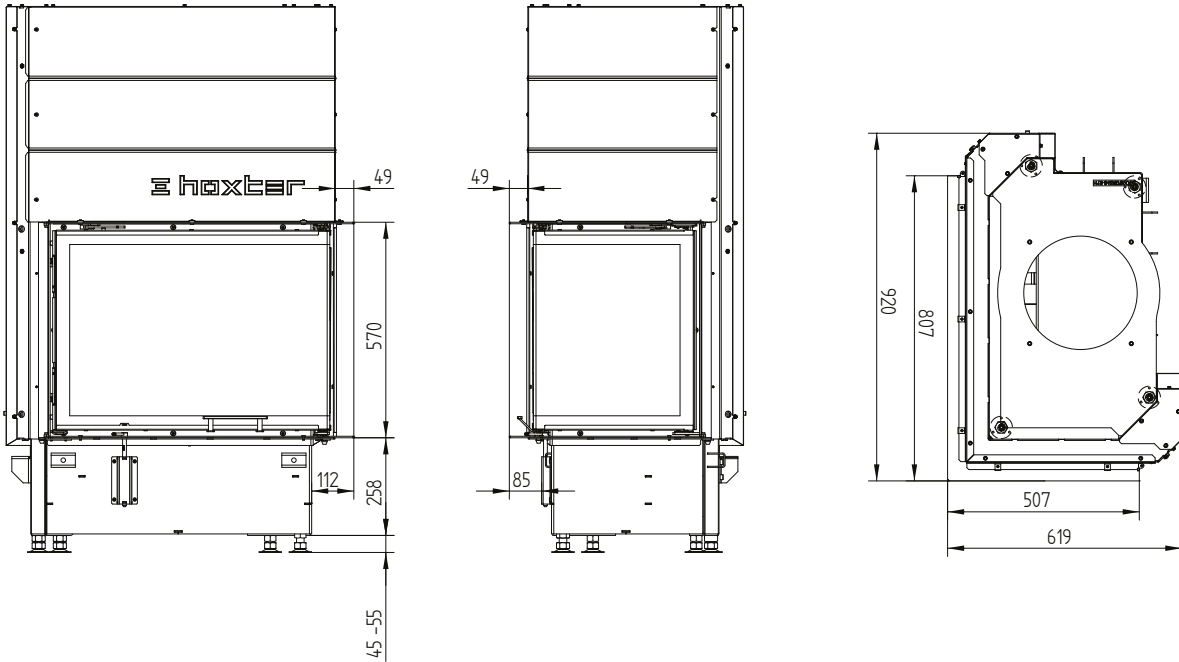
Cover frame 76/45/57Rh right liftdoor 4sides 1 x 90° 60 mm



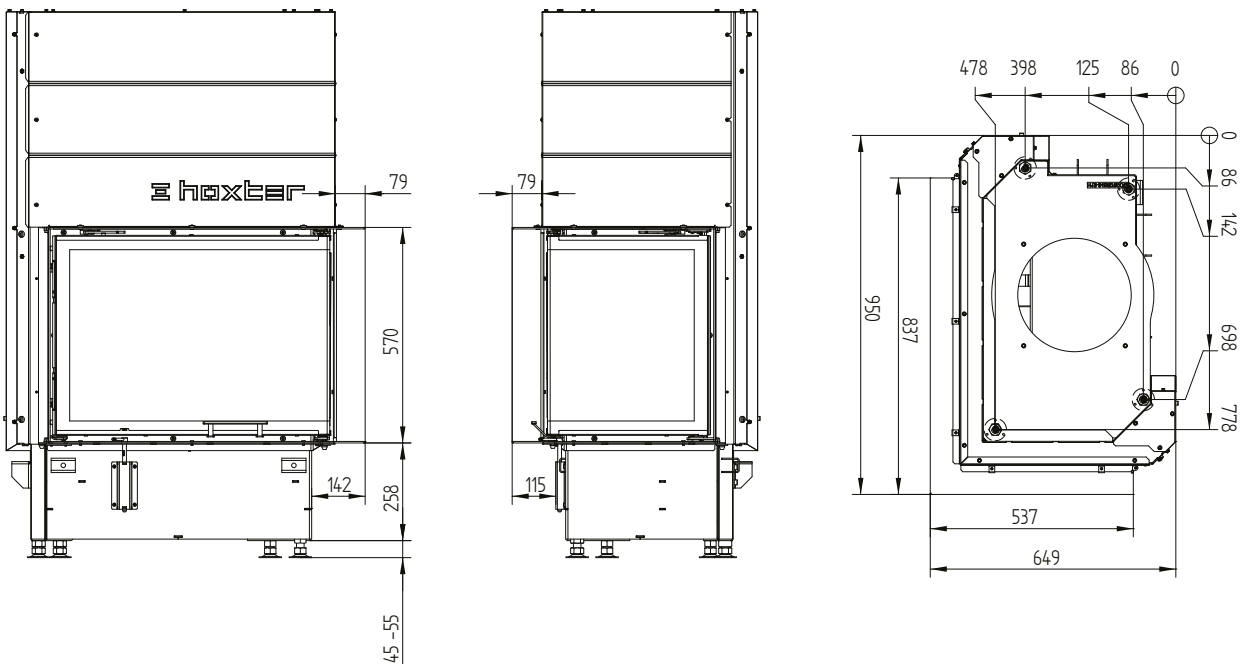
ECKA 76/45/57Rh

Technical data
Version 09/2023

Build-on frame 76/45/57Rh right liftdoor 6sides 50 mm



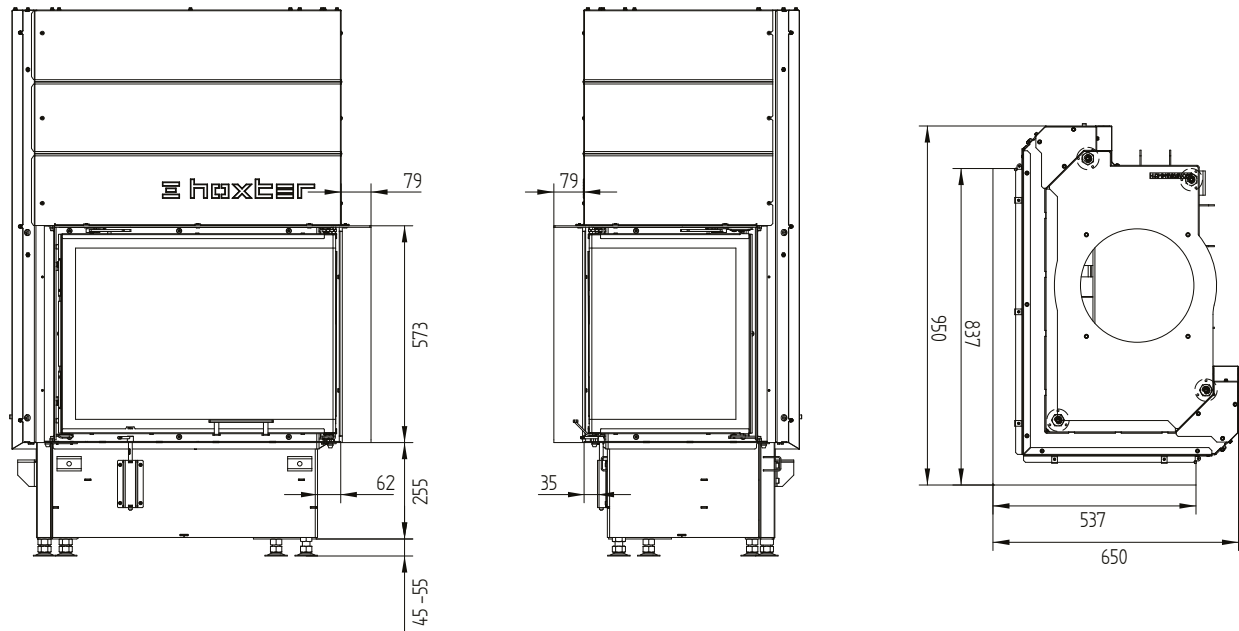
Build-on frame 76/45/57Rh right liftdoor 6sides 80 mm / feet



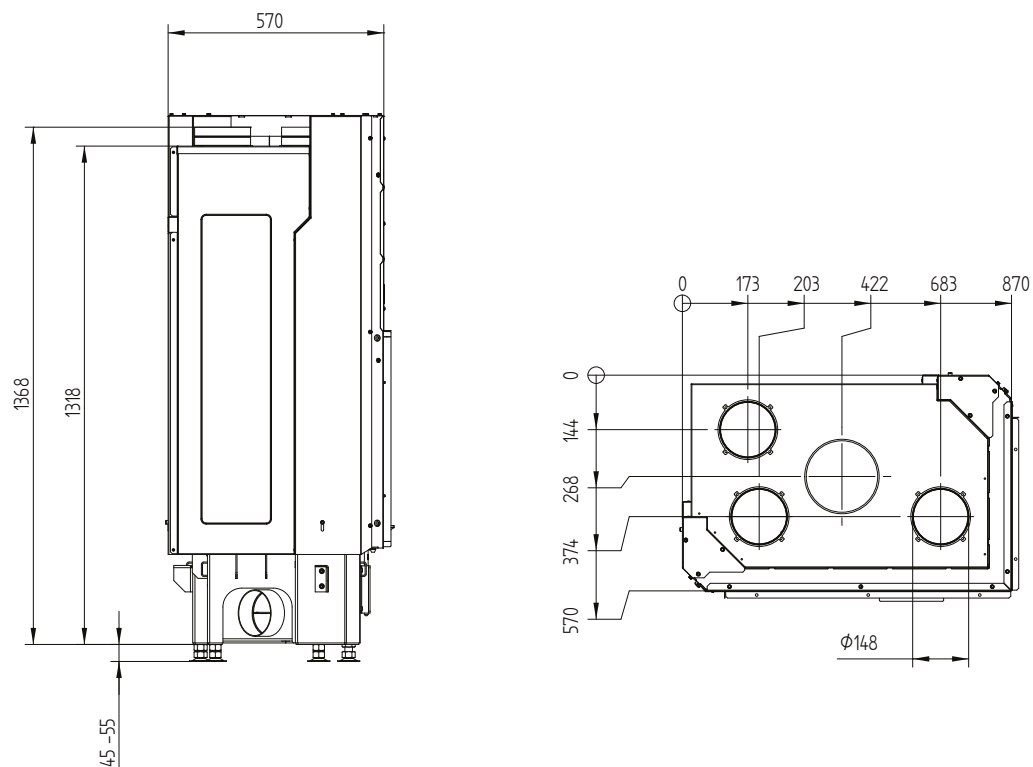
ECKA 76/45/57Rh

Technical data
Version 09/2023

Build-on frame 76/45/57Rh right liftdoor 4sides 80 mm



Convection jacket ECKA 76/45/57Rh liftdoor hot air exchanger vertical



M 1:20