

Technical data	operation when directly connected to chimney	operation when connected accumulation mass	
		A	A
Energy label	A	A	A
Operating data			
Nominal heat power	11 kW	----	----
Efficiency	> 80 %	----	----
Consumption of wood	3,2 kg/h	5 kg	4 kg
Total heat output of the burning chamber	----	20 kW	16 kW
Average heat output / heat accumulation time ⁵	----	2 kW / 8 h	1,6 kW / 8 h
Mass flow of flue gas	10 g/s	16 g/s	12 g/s
Required chimney pressure	12 Pa	12 Pa	15 Pa
Required amount of combustion air	30 m ³ /h	45 m ³ /h	35 m ³ /h
Average flue gas temperature			
on the output	238 °C	344 °C	333 °C
behind 2,8 m of ceramic accumulation system KMS 300 ¹	----	182 °C	----
behind S-accumulation rings (5x S-acc. ring Ø345mm)	----	----	241 °C
Heat distribution			
fireplace insert	55 %	40 %	40 %
door glass (single / double)	45 / 0 %	45 / 0 %	45 / 0 %
additional accumulation mass	----	15 %	15 %
Information for ventilated builds			
Minimal grill area supply / outgoing	700 / 850 cm ²	700 / 850 cm ²	700 / 850 cm ²
Minimum distance from insulated areas / floor	80 / 0 mm	80 / 0 mm	
Reference insulation ² ceiling / back wall / side wall / floor	120 / 80 / 80 / 0 mm	120 / 80 / 80 / 0 mm	
Calciumsilicate insulation ³ ceiling / back wall / side wall / floor	90 / 60 / 60 / 0 mm	90 / 60 / 60 / 0 mm	
Information for non-ventilated builds (closed grills)			
Minimum radiant area ⁴	suitable	4 m ²	
Minimum distance from insulated areas / floor	80 / 20 mm	80 / 20 mm	
Reference insulation ² ceiling / back wall / side wall / floor	160 / 100 / 100 / 20 mm	160 / 100 / 100 / 20 mm	
Calciumsilicate insulation ³ ceiling / back wall / side wall / floor	120 / 75 / 75 / 20 mm	120 / 75 / 75 / 20 mm	
General technical information			
Total weight / lining weight	circa 300 / 78 kg	circa 300 / 78 kg	
Burning chamber dimensions (width x depth)	740 x 255 mm		
Combustion air connection	Ø 125 mm		
Use in non-ventilated accumulation builds according to craft rules	suitable		
Tested according to	EN 13229		
Meets values	1. BImSchV (Stufe2), 15a BVG		

1 Listed value from testing. For accurate results is evaluation of each system in the Ortner / KOV program necessary

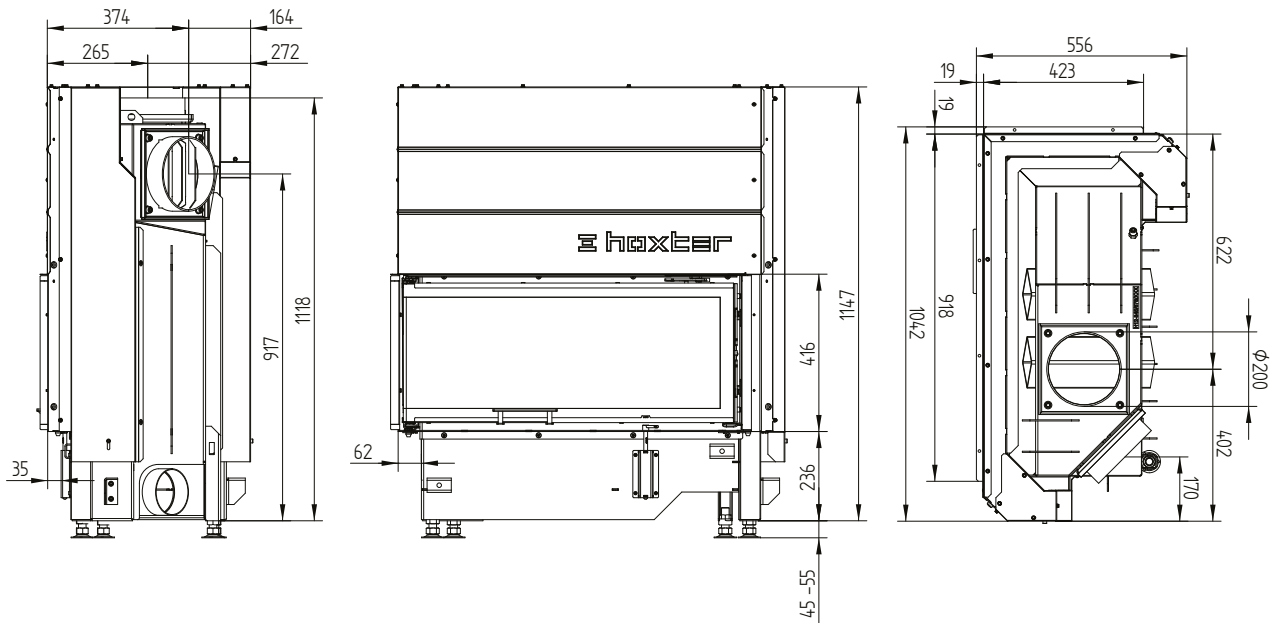
2 Mineral wool according to AGI-Q 132

3 Example SkamoEnclosure Board 225 kg/m³

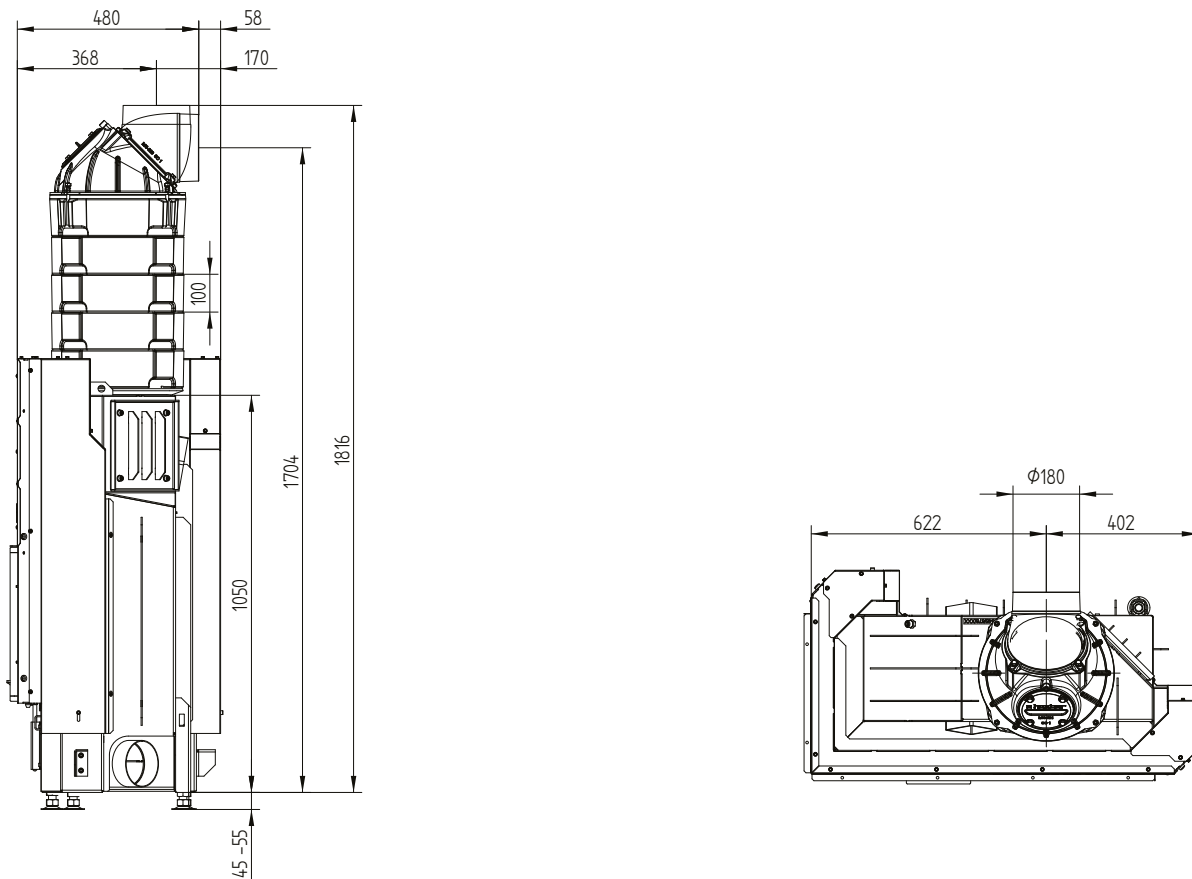
4 Depends on accumulation period and material characteristics. Listed values calculated with average specific heat output = approx. 500 W/m²

5 Storage operation, one wood charge for storage duration, with closed construction and efficiency > 80%

ECKA 90/40/40Lh left liftdoor



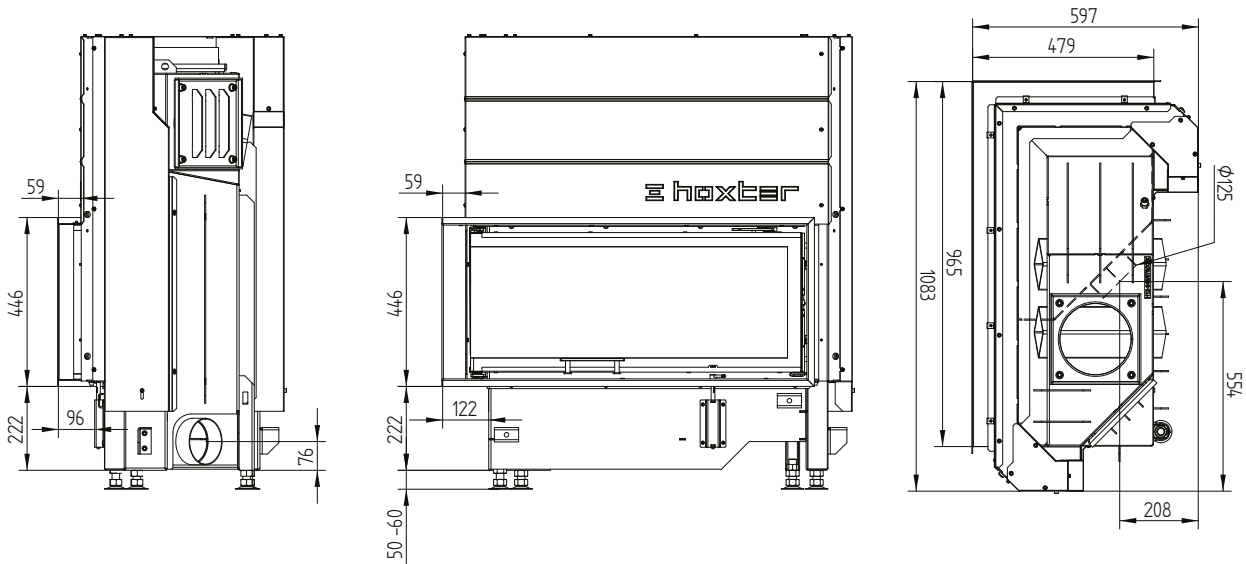
ECKA 90/40/40Lh left liftdoor S-accumulation set



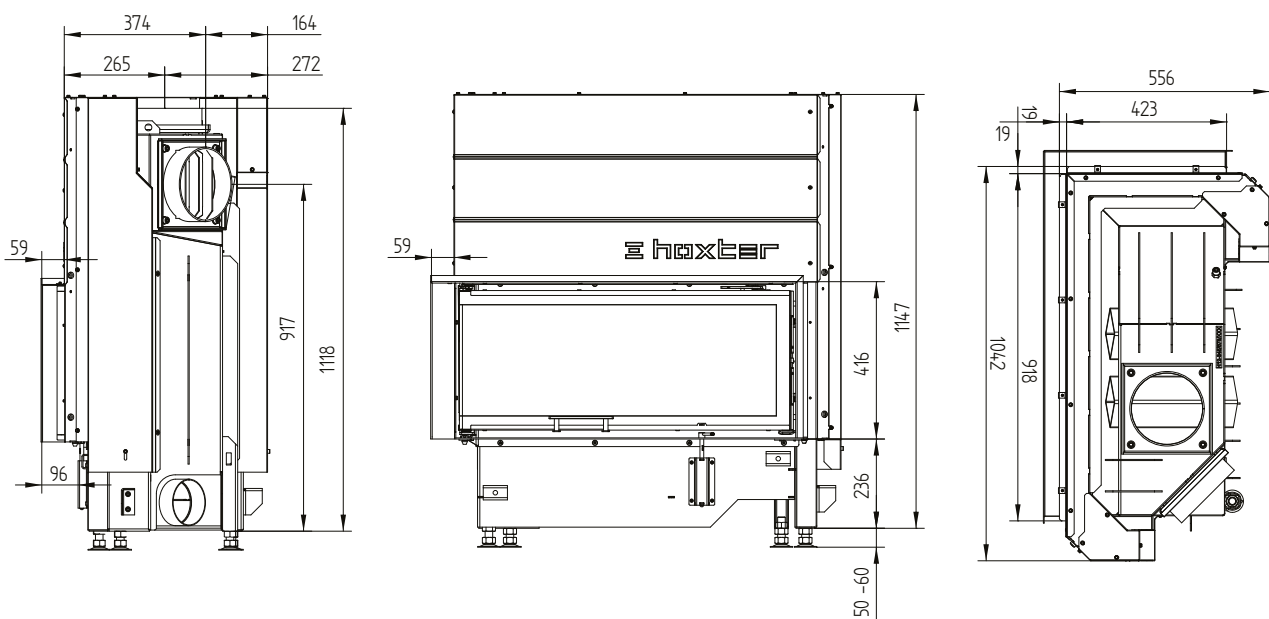
ECKA 90/40/40Lh

Technical data
Version 09/2023

Cover frame 90/40/40Lh left liftdoor 6sides 1 x 90° 60mm / air inlet



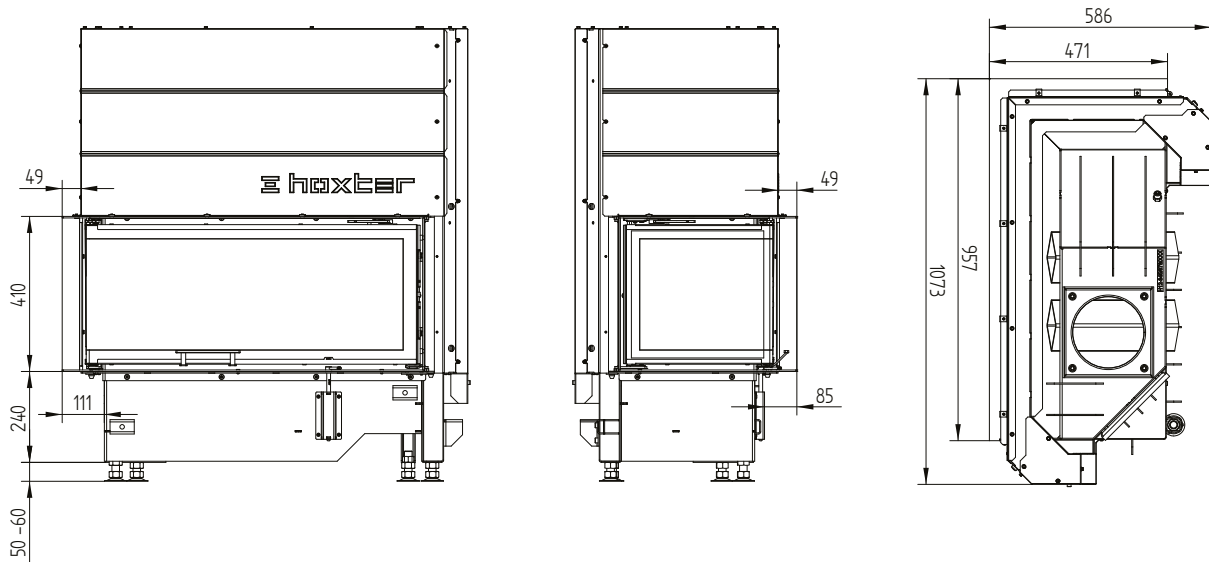
Cover frame 90/40/40Lh left liftdoor 4sides 1 x 90° 60mm



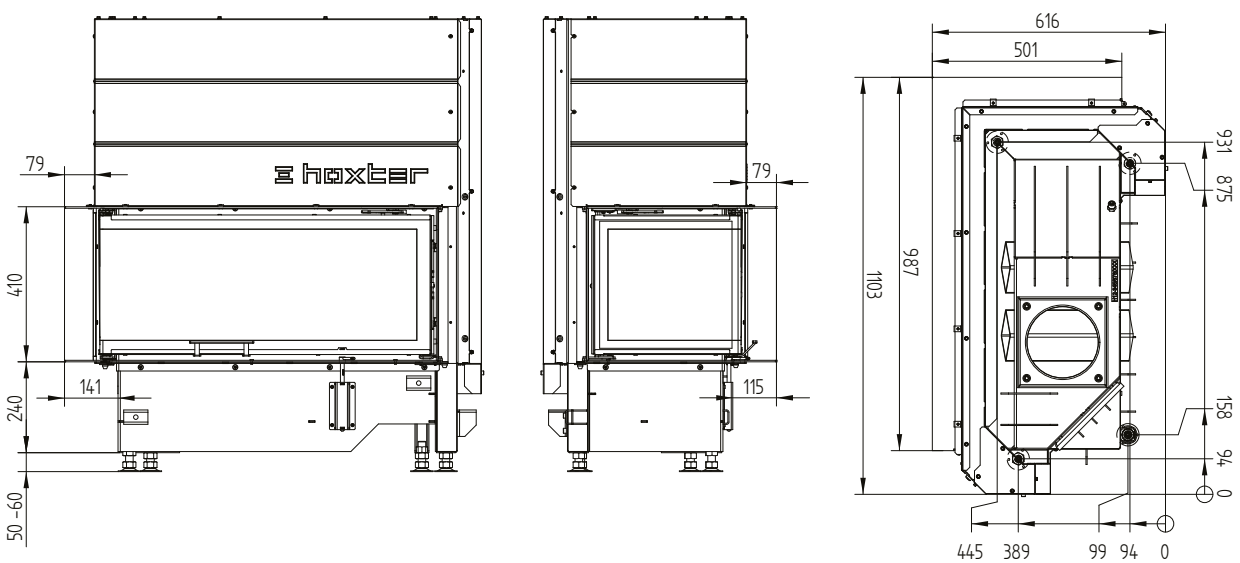
ECKA 90/40/40Lh

Technical data
Version 09/2023

Build-on frame 90/40/40Lh left liftdoor 6sides 50 mm



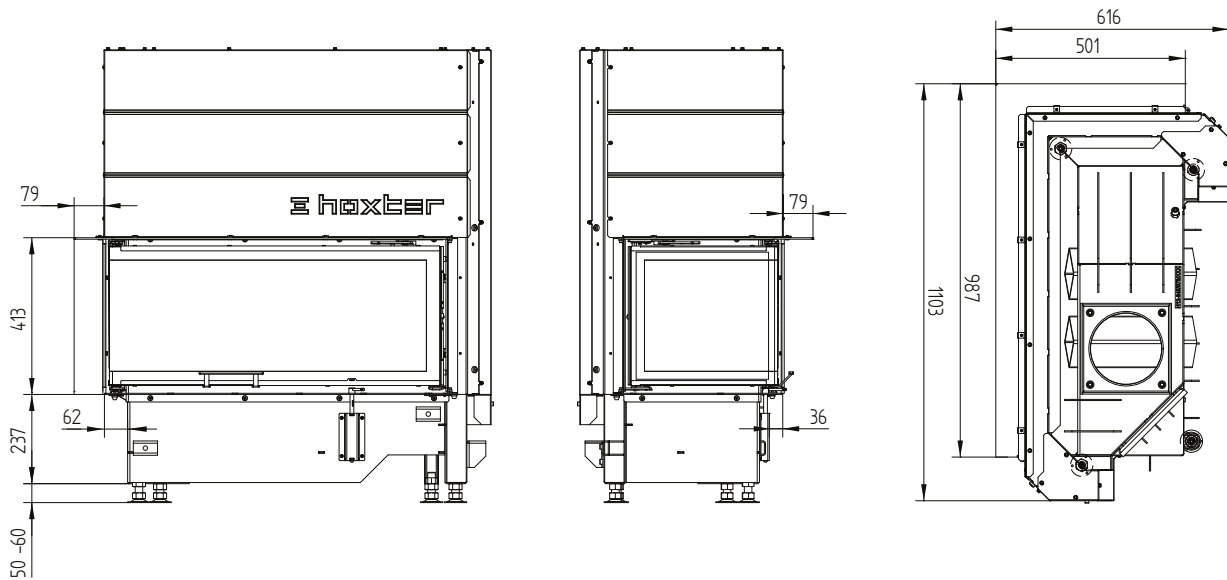
Build-on frame 90/40/40Lh left liftdoor 6sides 80 mm / feet



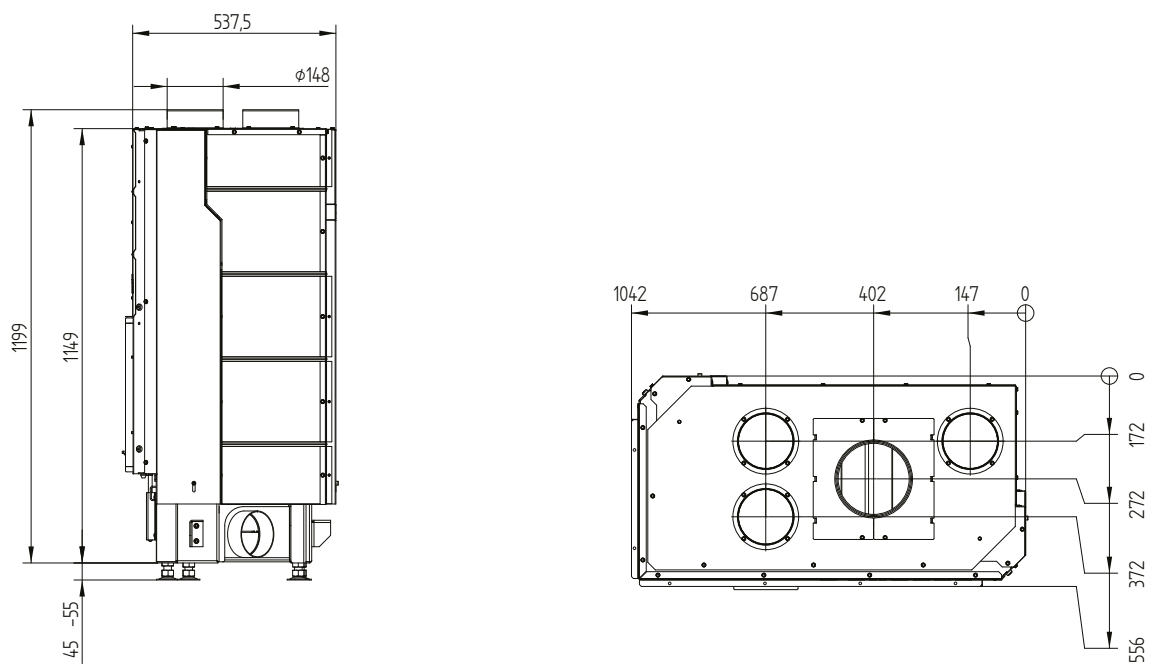
ECKA 90/40/40Lh

Technical data
Version 09/2023

Build-on frame 90/40/40Lh left liftdoor 4sides 80 mm



Convection jacket 90/40/40Lh left liftdoor



Technical data	operation when directly connected to chimney	operation when connected accumulation mass	
Energy label	A	A	A
Operating data			
Nominal heat power	11 kW	----	----
Efficiency	> 80 %	----	----
Consumption of wood	3,2 kg/h	5 kg	4 kg
Total heat output of the burning chamber	----	20 kW	16 kW
Average heat output / heat accumulation time ⁵	----	2 kW / 8 h	1,6 kW / 8 h
Mass flow of flue gas	10 g/s	16 g/s	12 g/s
Required chimney pressure	12 Pa	12 Pa	15 Pa
Required amount of combustion air	30 m ³ /h	45 m ³ /h	35 m ³ /h
Average flue gas temperature			
on the output	238 °C	344 °C	333 °C
behind 2,8 m of ceramic accumulation system KMS 300 ¹	----	182 °C	----
behind S-accumulation rings (5x S-acc. ring Ø345mm)	----	----	241 °C
Heat distribution			
fireplace insert	55 %	40 %	40 %
door glass (single / double)	45 / 0 %	45 / 0 %	45 / 0 %
additional accumulation mass	----	15 %	15 %
Information for ventilated builds			
Minimal grill area supply / outgoing	700 / 850 cm ²	700 / 850 cm ²	700 / 850 cm ²
Minimum distance from insulated areas / floor	80 / 0 mm	80 / 0 mm	
Reference insulation ² ceiling / back wall / side wall / floor	120 / 80 / 80 / 0 mm	120 / 80 / 80 / 0 mm	
Calciumsilicate insulation ³ ceiling / back wall / side wall / floor	90 / 60 / 60 / 0 mm	90 / 60 / 60 / 0 mm	
Information for non-ventilated builds (closed grills)			
Minimum radiant area ⁴	suitable	4 m ²	
Minimum distance from insulated areas / floor	80 / 20 mm	80 / 20 mm	
Reference insulation ² ceiling / back wall / side wall / floor	160 / 100 / 100 / 20 mm	160 / 100 / 100 / 20 mm	
Calciumsilicate insulation ³ ceiling / back wall / side wall / floor	120 / 75 / 75 / 20 mm	120 / 75 / 75 / 20 mm	
General technical information			
Total weight / lining weight	circa 300 / 78 kg	circa 300 / 78 kg	
Burning chamber dimensions (width x depth)	740 x 255 mm		
Combustion air connection	Ø 125 mm		
Use in non-ventilated accumulation builds according to craft rules	suitable		
Tested according to	EN 13229		
Meets values	1. BImSchV (Stufe2), 15a BVG		

1 Listed value from testing. For accurate results is evaluation of each system in the Ortner / KOV program necessary

2 Mineral wool according to AGI-Q 132

3 Example SkamoEnclosure Board 225 kg/m³

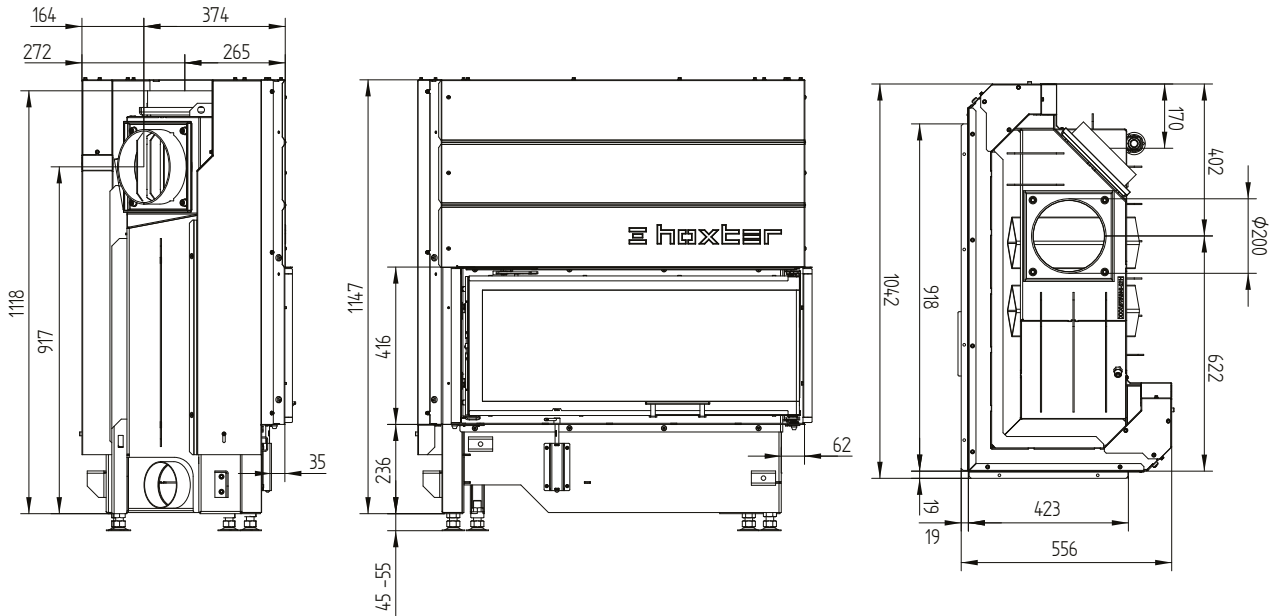
4 Depends on accumulation period and material characteristics. Listed values calculated with average specific heat output = approx. 500 W/m²

5 Storage operation, one wood charge for storage duration, with closed construction and efficiency > 80%

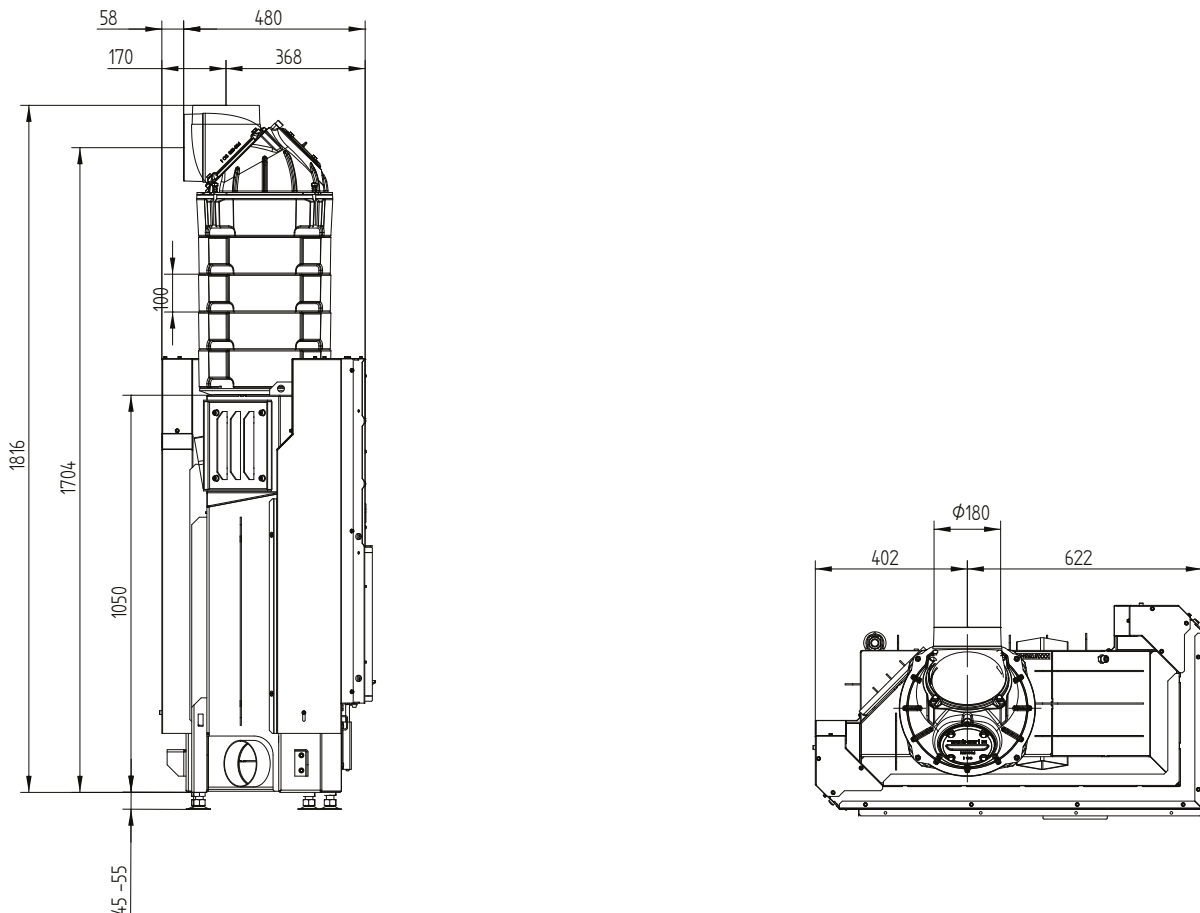
ECKA 90/40/40Rh

Technical data
Version 09/2023

ECKA 90/40/40Rh right liftdoor



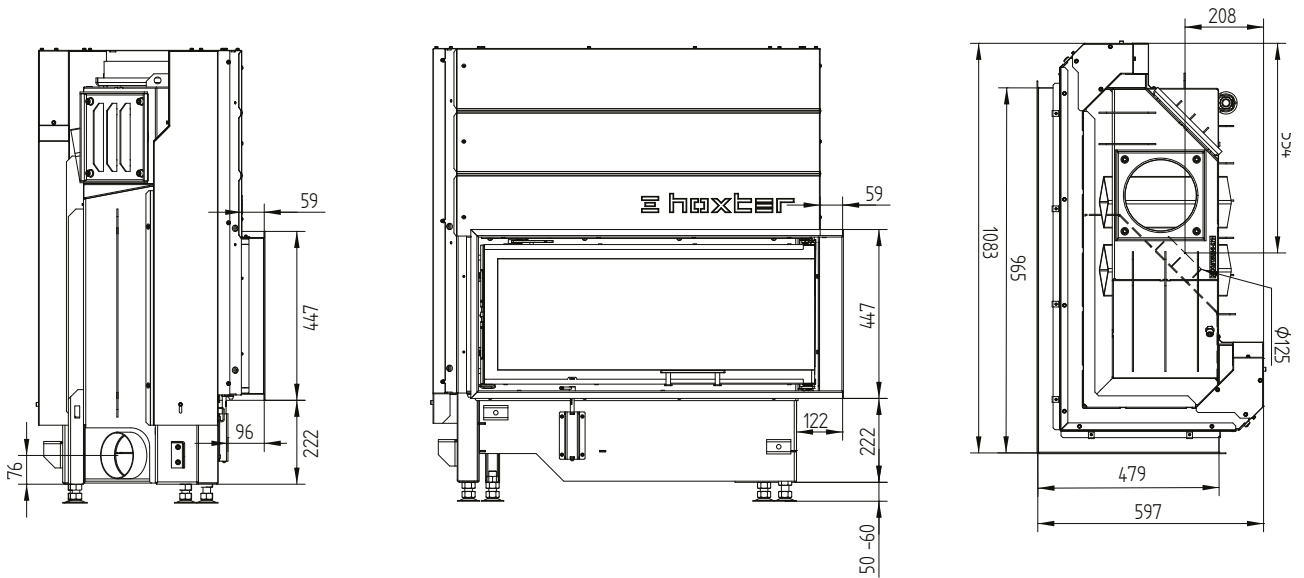
ECKA 90/40/40Rh right liftdoor S-accumulation set



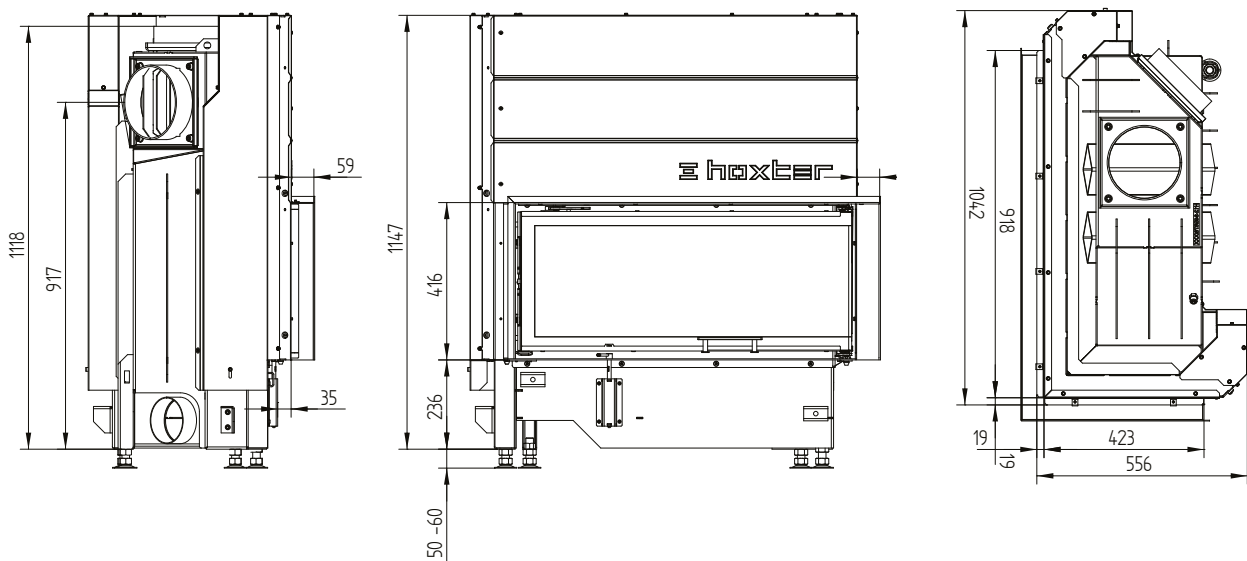
ECKA 90/40/40Rh

Technical data
Version 09/2023

Cover frame 90/40/40Rh right liftdoor 6sides 1 x 90° 60mm / air inlet



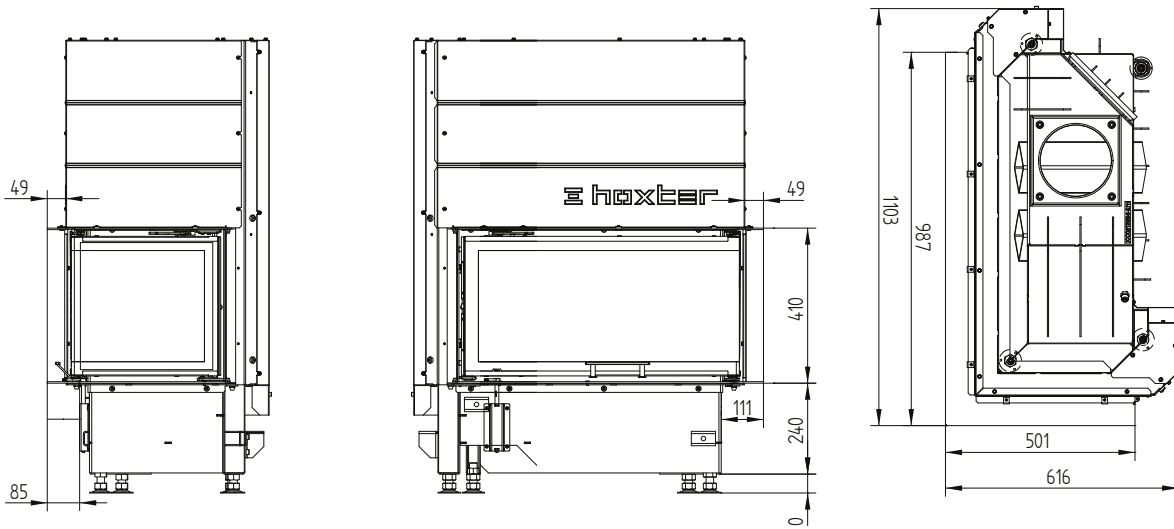
Cover frame 90/40/40Rh right liftdoor 4sides 1 x 90° 60mm



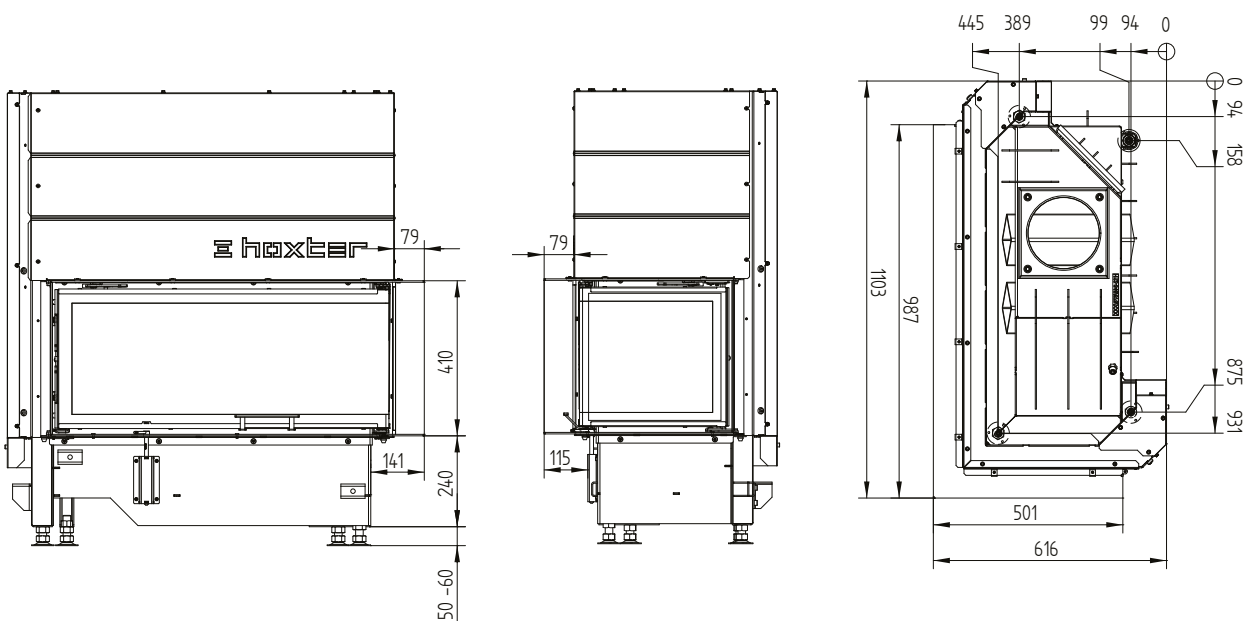
ECKA 90/40/40Rh

Technical data
Version 09/2023

Build-on frame 90/40/40Rh right liftdoor 6sides 50 mm



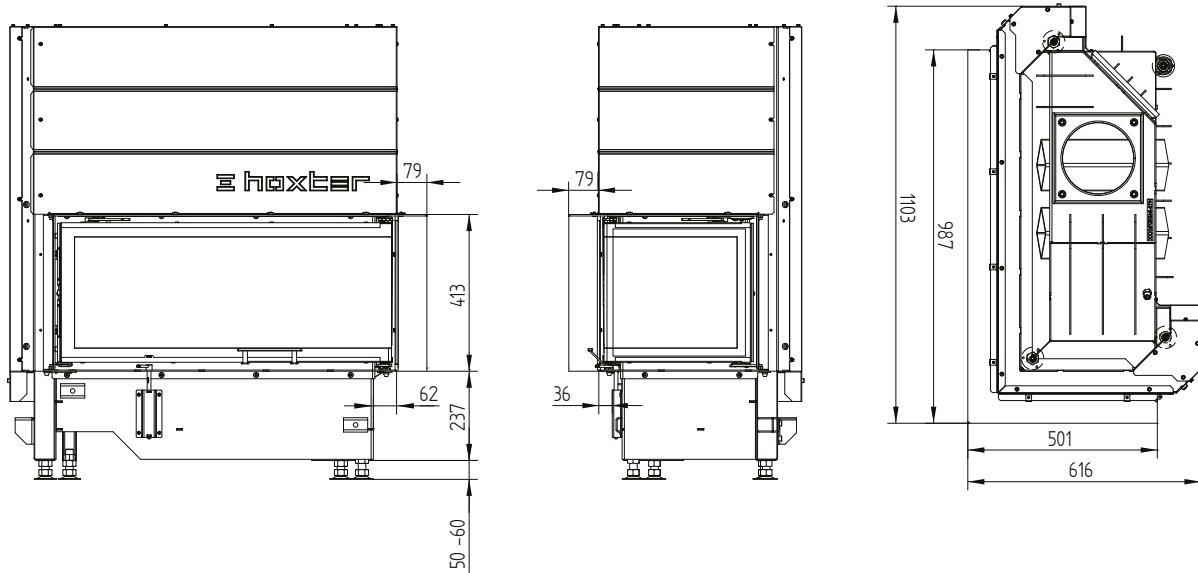
Build-on frame 90/40/40Rh right liftdoor 6sides 80 mm / feet



ECKA 90/40/40Rh

Technical data
Version 09/2023

Build-on frame 90/40/40Rh right liftdoor 4sides 80 mm



Convection jacket 90/40/40Rh right liftdoor

