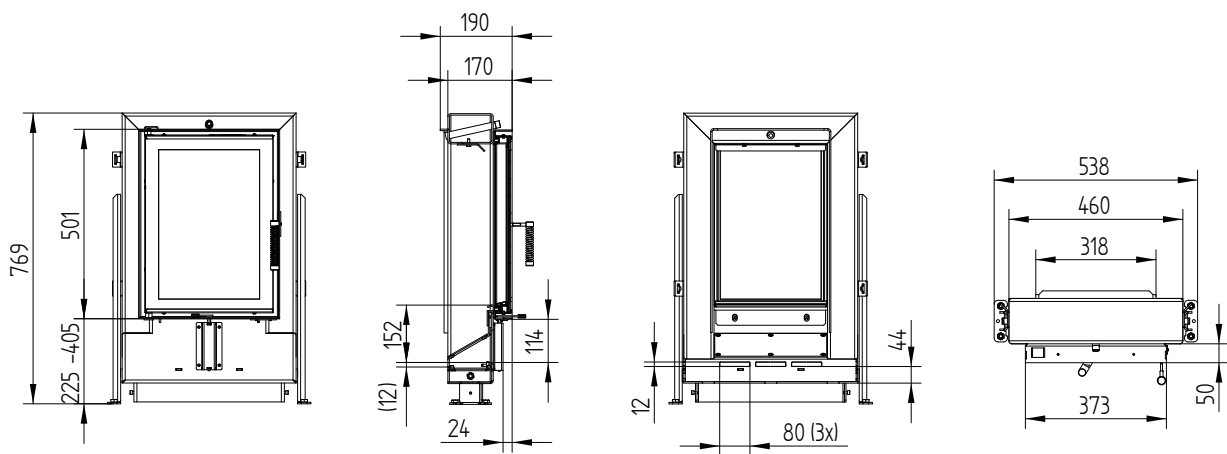


Technical data

General technical information	
Recommended wood load	10 kg
Cross section of combustion air opening	180 cm ²
Optional combustion air adapter	1 × Ø 150 mm
Pressure loss	see table
Free glass area	1 148 cm ²

Quantity	Volume flow		Pressure loss
5 kg	47,0 m ³ /h	0,013 m ³ /s	2 Pa
6 kg	56,3 m ³ /h	0,016 m ³ /s	3 Pa
7 kg	65,7 m ³ /h	0,018 m ³ /s	4,1 Pa
8 kg	75,1 m ³ /h	0,021 m ³ /s	5,4 Pa
9 kg	84,5 m ³ /h	0,023 m ³ /s	7 Pa
10 kg	93,9 m ³ /h	0,026 m ³ /s	8,8 Pa
11 kg	103,3 m ³ /h	0,029 m ³ /s	10,7 Pa
12 kg	112,7 m ³ /h	0,031 m ³ /s	12,9 Pa

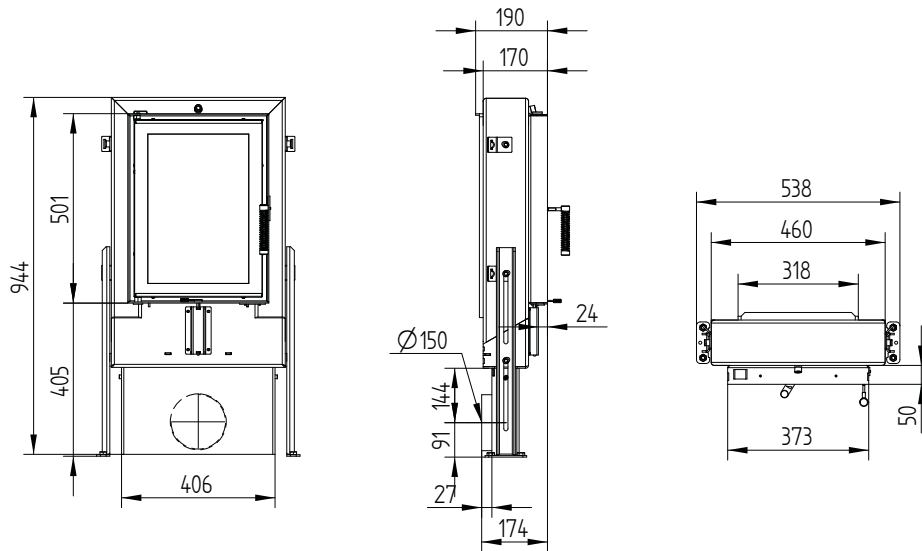
GT 37/50



GT 37/50

Technical data
Version 09/2023

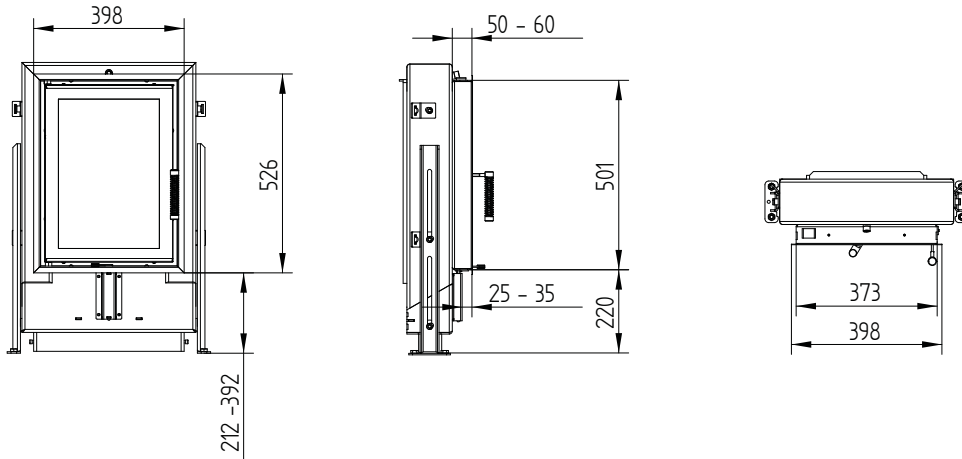
GT 37/50 with external air connection 1 x $\text{Ø} 150 \text{ mm}$



GT 37/50

Technical data
Version 09/2023

Cover frame 37/50 4sides 50 mm 1 x 90°



Cover frame 37/50 4sides 80 mm 2 x 45°

