

GT 50/35/45L 15a

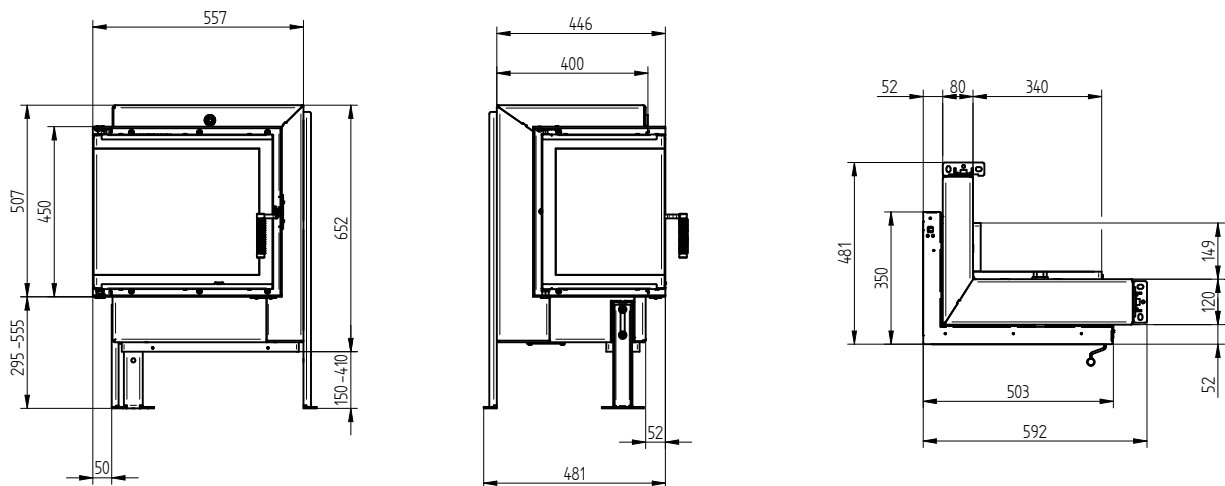
Technical data
Version 09/2023

Technical data

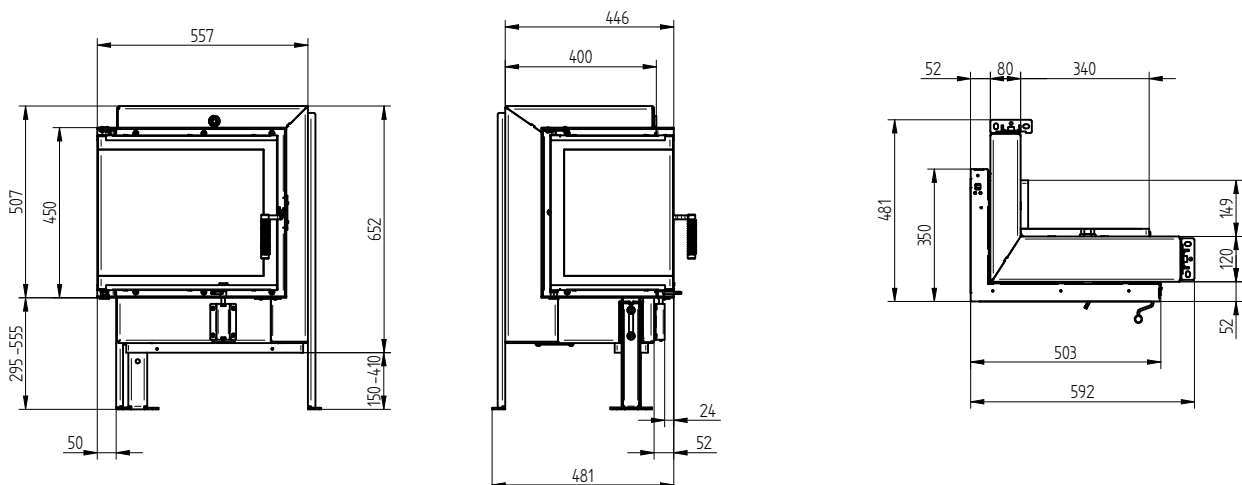
General technical information	
Recommended wood load	10 kg
Cross section of combustion air opening	172 cm ²
Optional combustion air adapter	Ø 150 mm
Pressure loss	see table
Free glass area	2 555 cm ²

Quantity	Volume flow	Pressure loss
10 kg	92,1 m ³ /h	0,026 m ³ /s
15 kg	138,2 m ³ /h	0,038 m ³ /s
18,5 kg	170,5 m ³ /h	0,047 m ³ /s

GT 50/35/45L 15a without air control



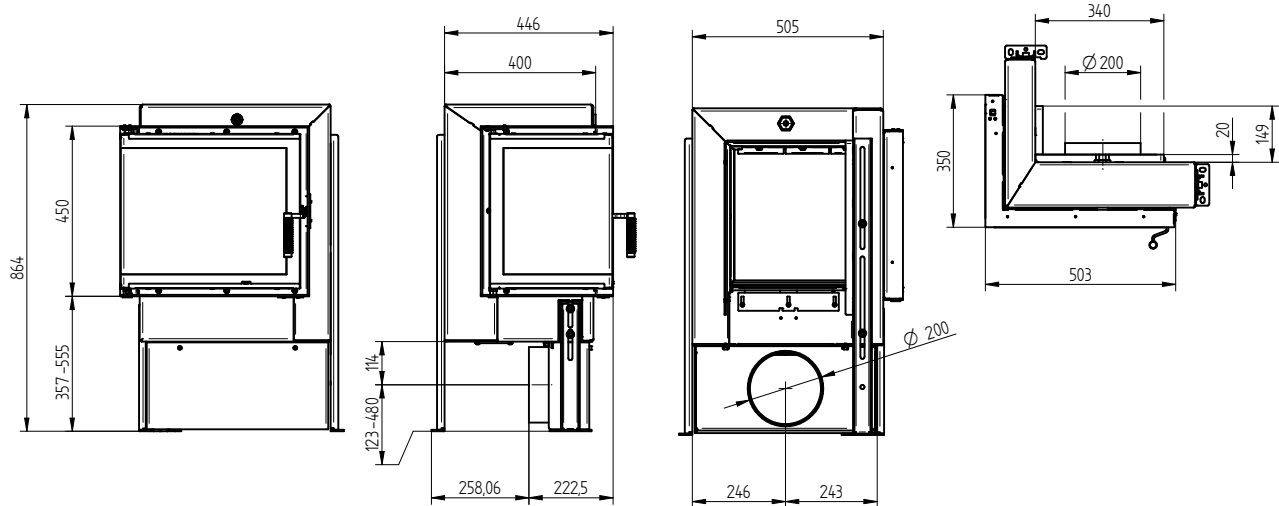
GT 50/35/45L 15a with air control



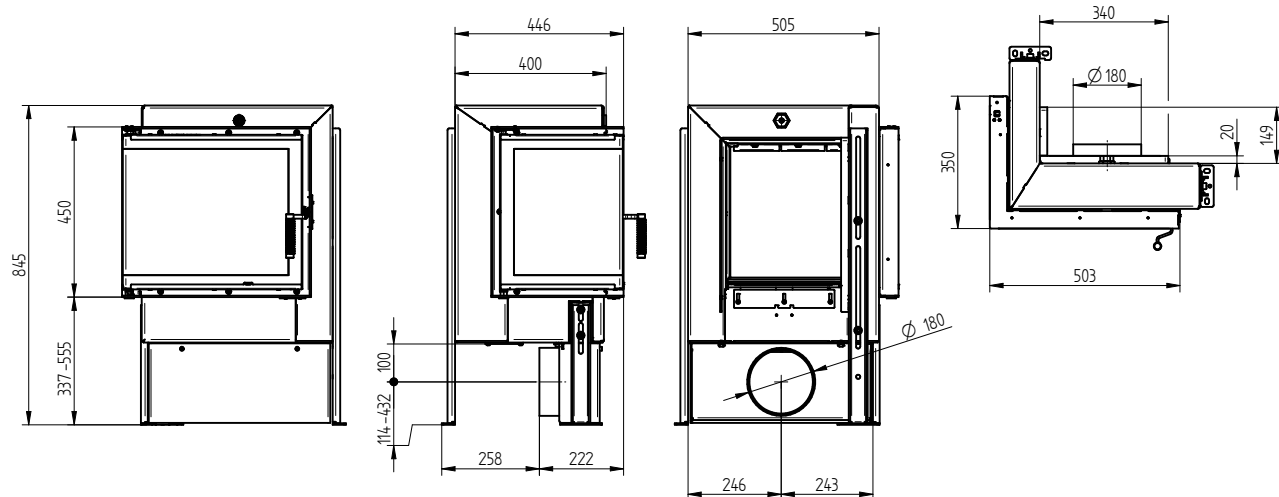
GT 50/35/45L 15a

Technical data
Version 09/2023

GT 50/35/45L 15a without air control with external air connection $\varnothing 200$ mm



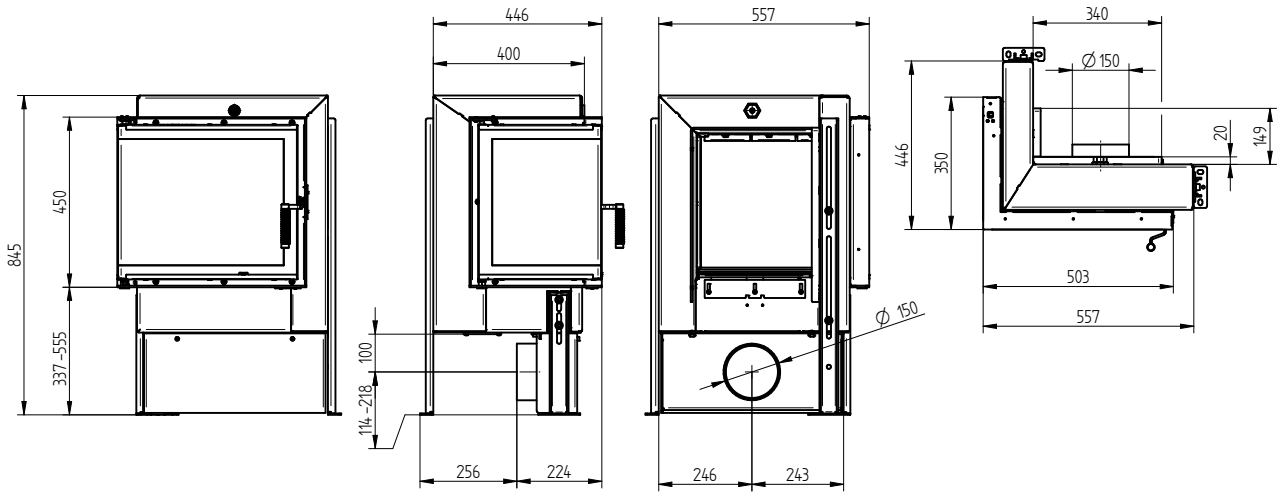
GT 50/35/45L 15a without air control with external air connection $\varnothing 180$ mm



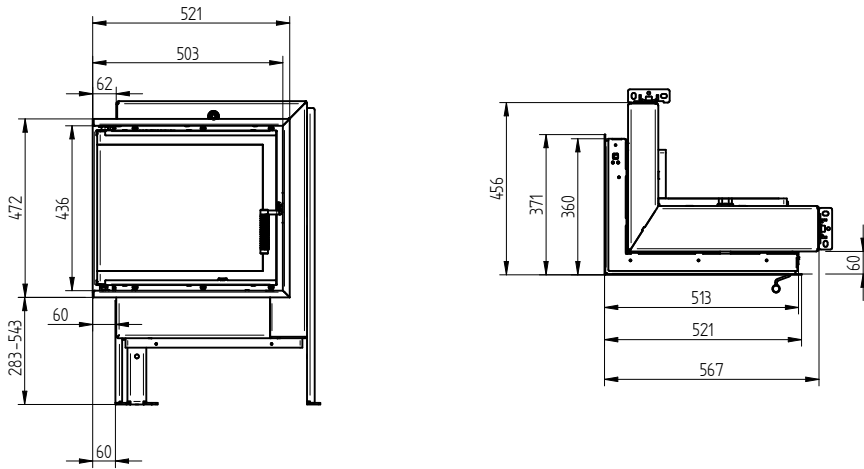
GT 50/35/45L 15a

Technical data
Version 09/2023

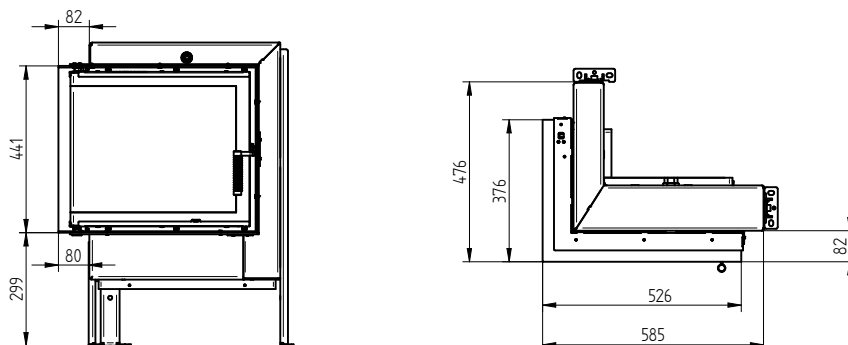
GT 50/35/45L 15a without air control with external air connection $\varnothing 150$ mm



Cover frame GT 50/35/45L 15a without air control 6sides 1 x 90° 60 mm



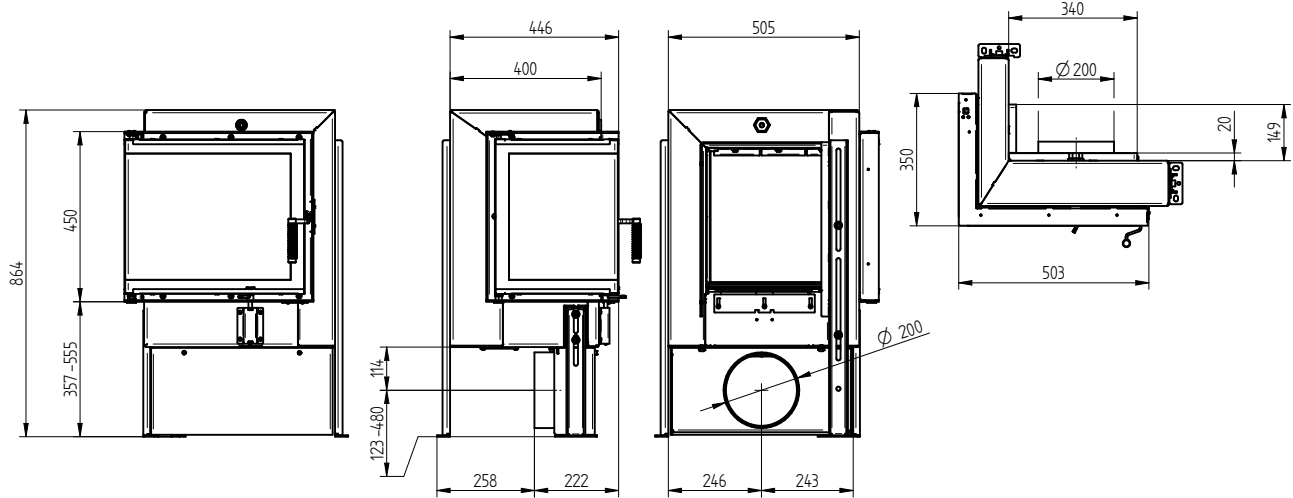
Build-on frame GT 50/35/45L 15a without air control 6sides 80 mm



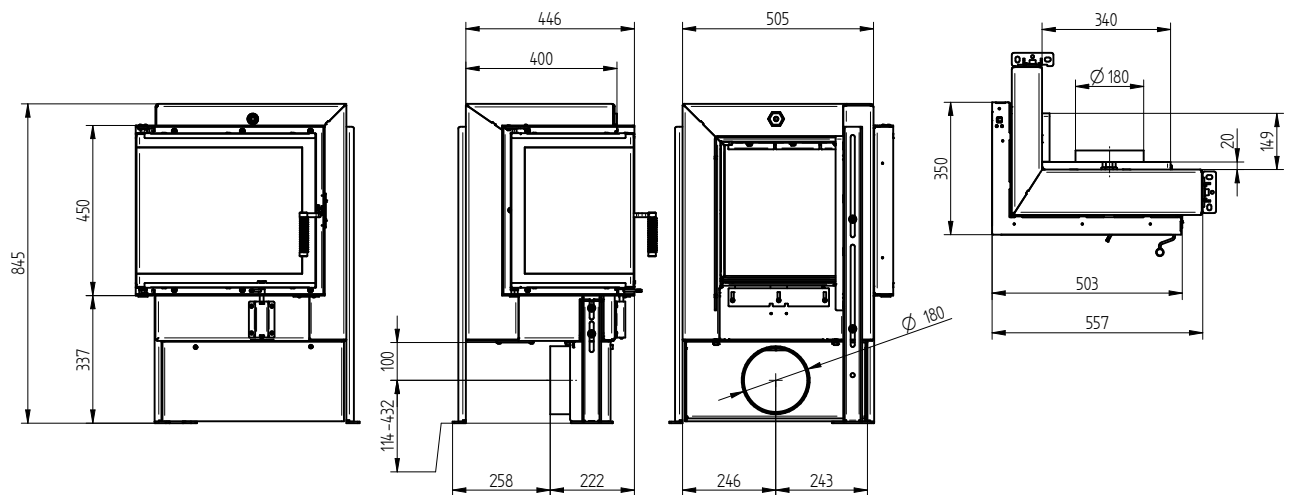
GT 50/35/45L 15a

Technical data
Version 09/2023

GT 50/35/45L 15a with air control with external air connection $\varnothing 200$ mm



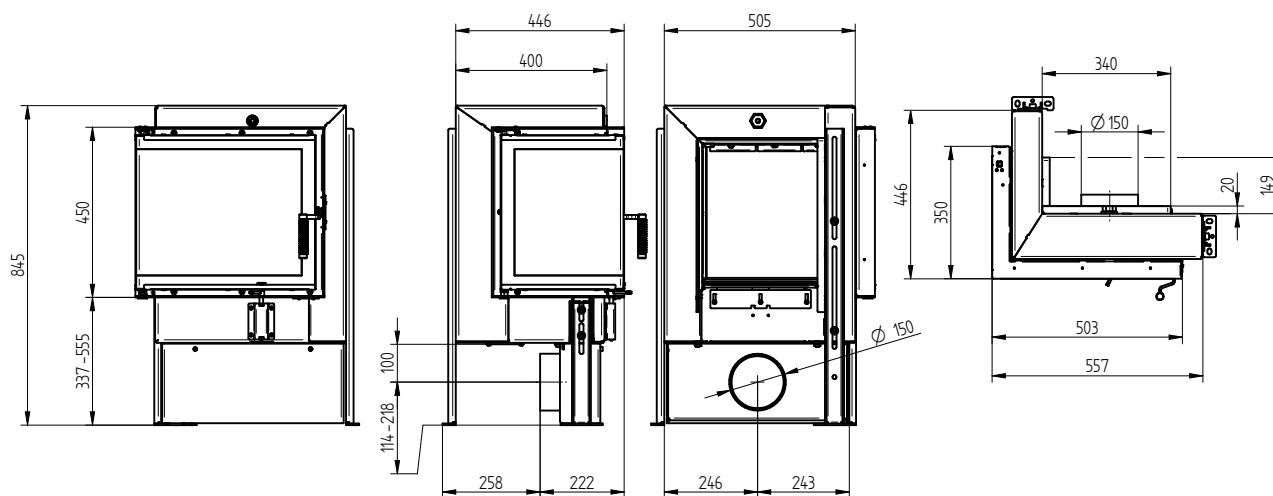
GT 50/35/45L 15a with air control with external air connection $\varnothing 180$ mm



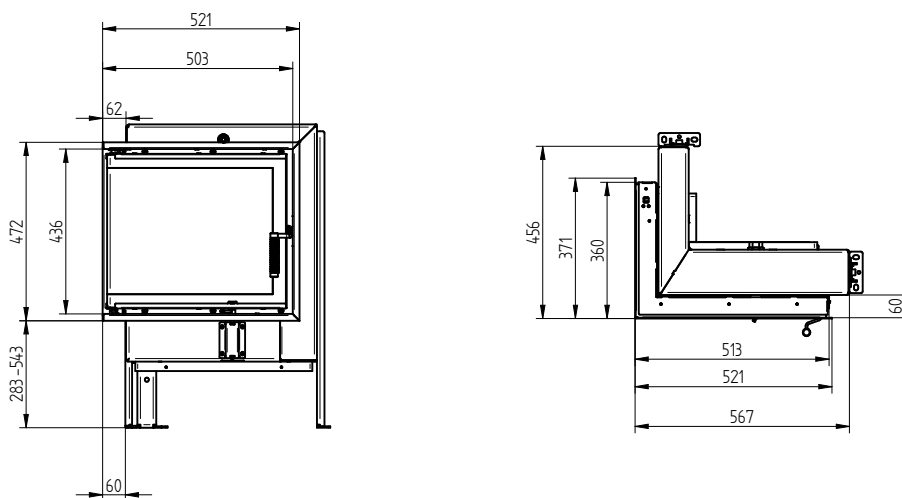
GT 50/35/45L 15a

Technical data
Version 09/2023

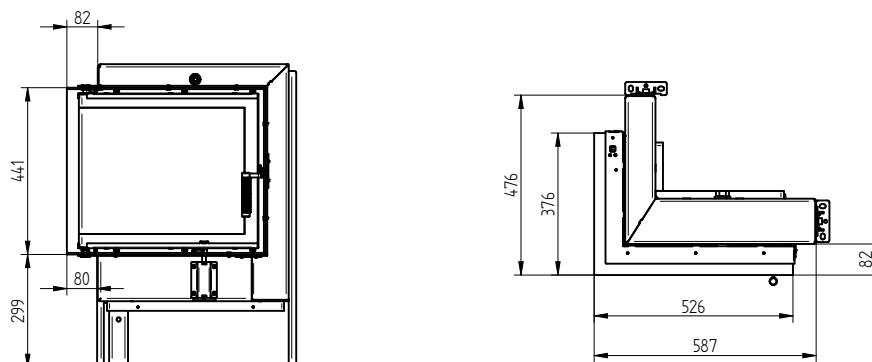
GT 50/35/45L 15a with air control with external air connection Ø150 mm



Cover frame GT 50/35/45L 15a with air control 6sides 1 x 90° 60 mm



Build-on frame GT 50/35/45L 15a with air control 6sides 80 mm



GT 50/35/45R 15a

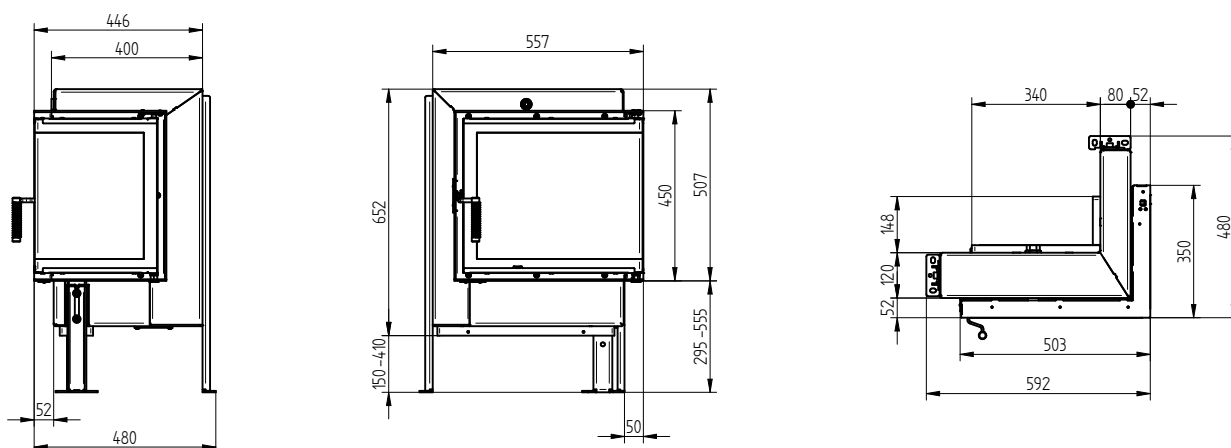
Technical data
Version 09/2023

Technical data

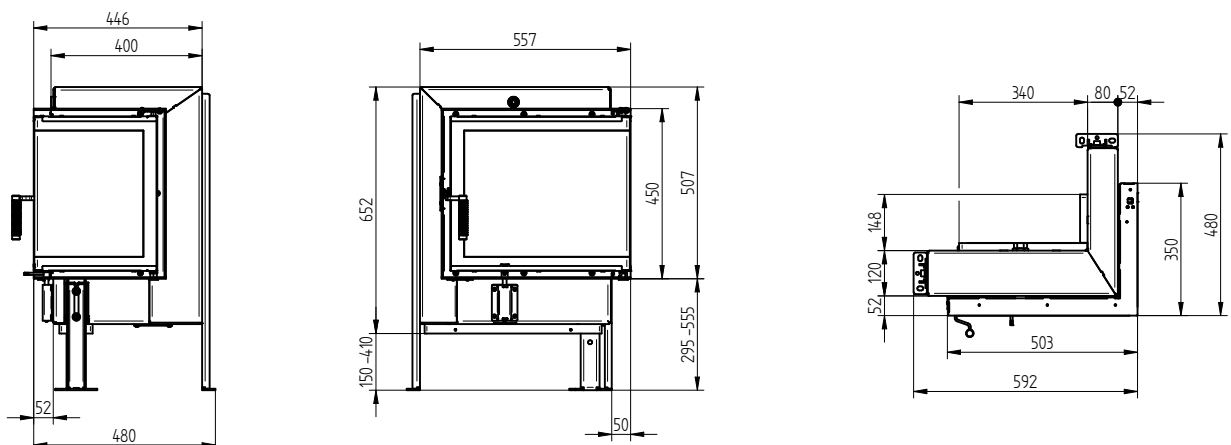
General technical information	
Recommended wood load	10 kg
Cross section of combustion air opening	172 cm ²
Optional combustion air adapter	Ø 150 mm
Pressure loss	see table
Free glass area	2 555 cm ²

Quantity	Volume flow	Pressure loss
10 kg	92,1 m ³ /h	0,026 m ³ /s
15 kg	138,2 m ³ /h	0,038 m ³ /s
18,5 kg	170,5 m ³ /h	0,047 m ³ /s

GT 50/35/45R 15a without air control



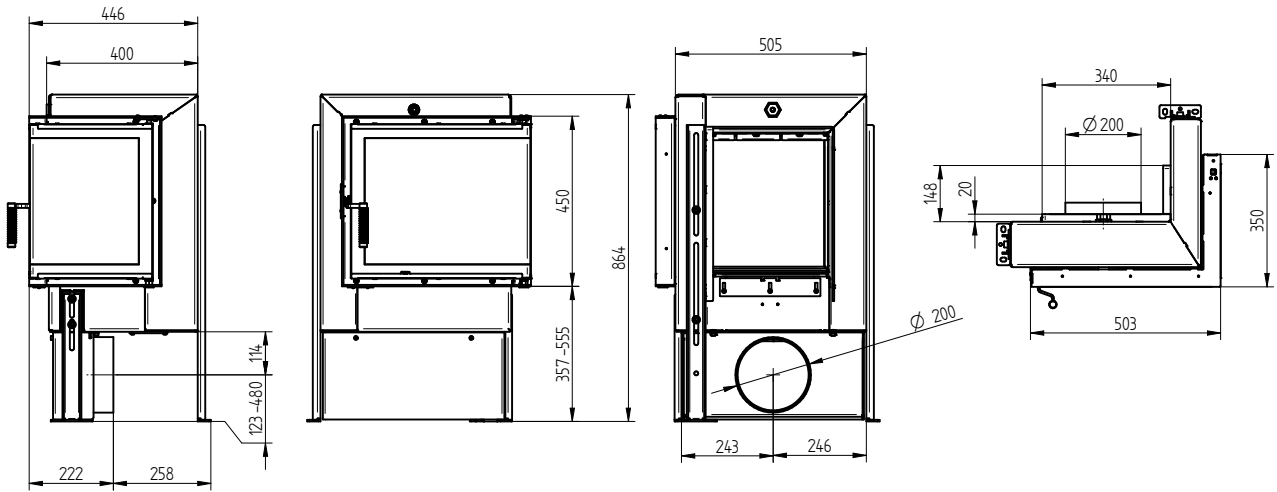
GT 50/35/45R 15a with air control



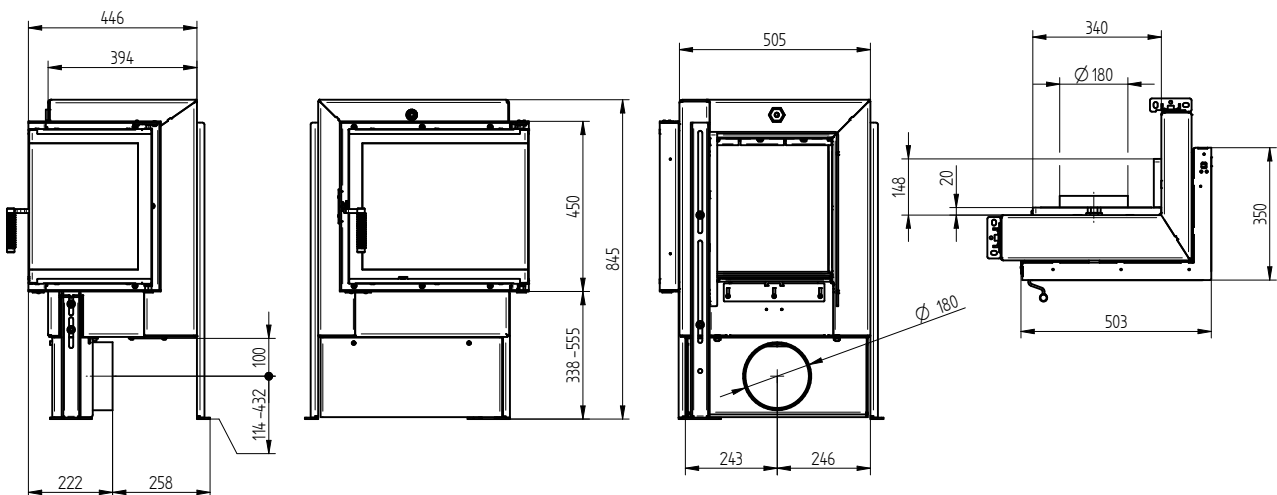
GT 50/35/45R 15a

Technical data
Version 09/2023

GT 50/35/45R 15a without air control with external air connection $\varnothing 200$ mm



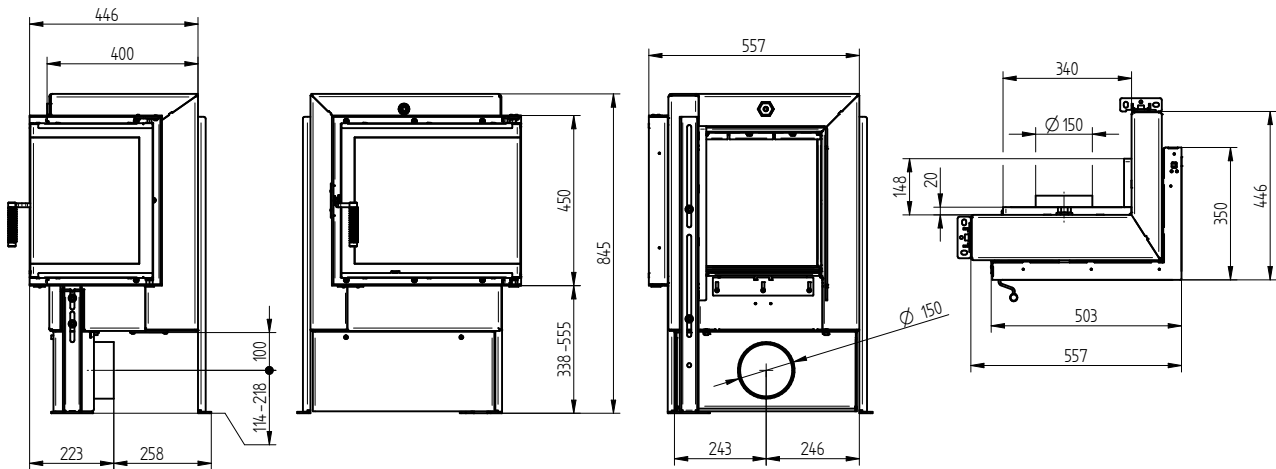
GT 50/35/45R 15a without air control with external air connection $\varnothing 180$ mm



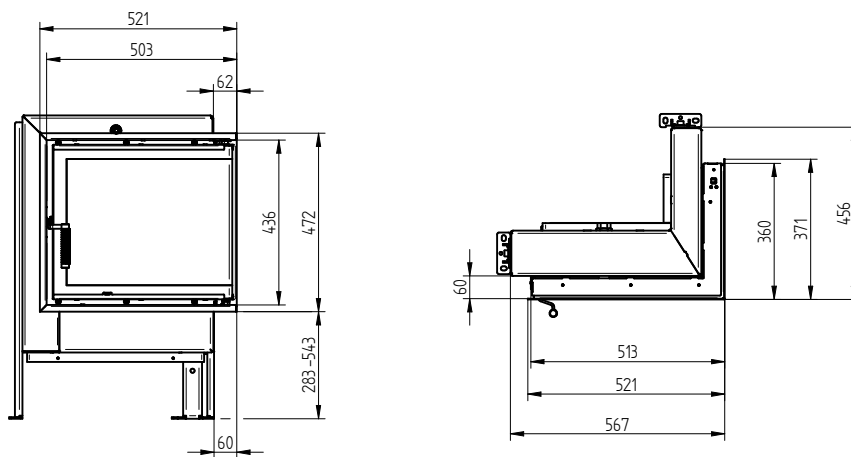
GT 50/35/45R 15a

Technical data
Version 09/2023

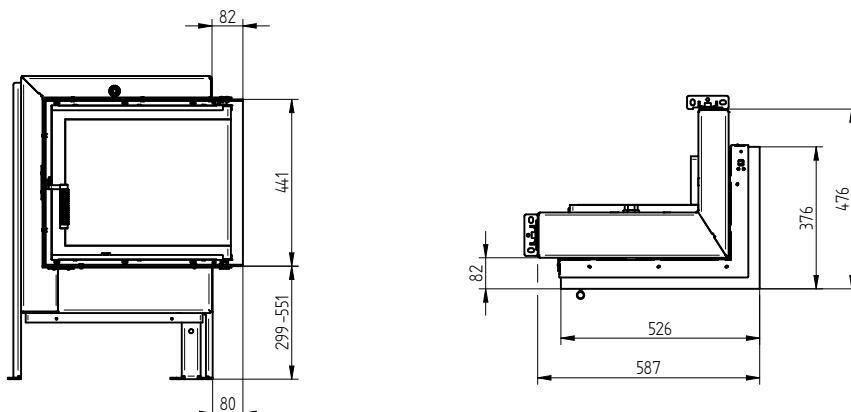
GT 50/35/45R 15a without air control with external air connection $\varnothing 150$ mm



Cover frame GT 50/35/45R 15a without air control 6sides 1 x 90° 60 mm



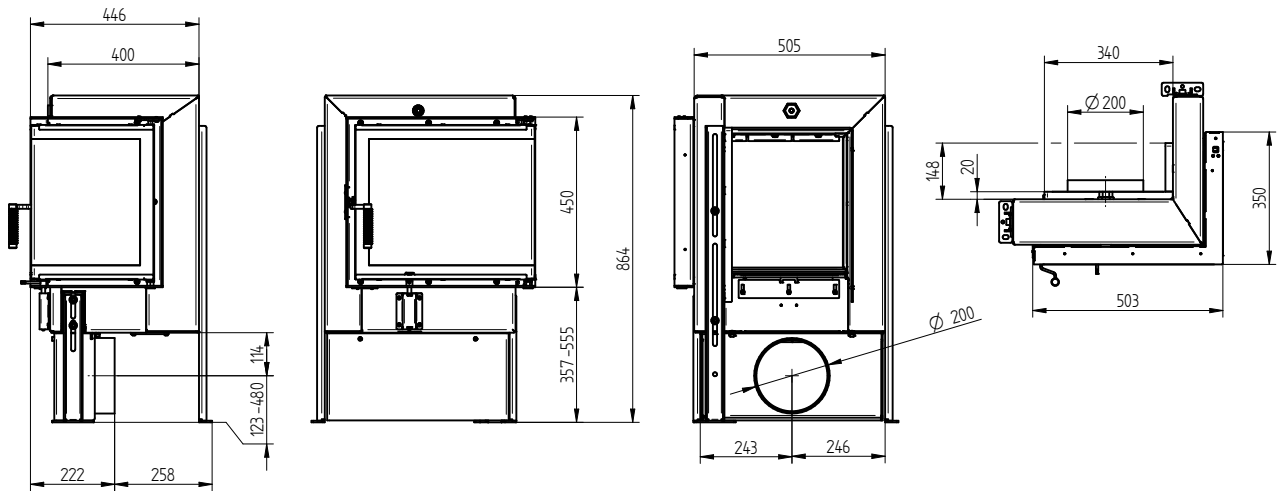
Build-on frame GT 50/35/45R 15a without air control 6sides 80 mm



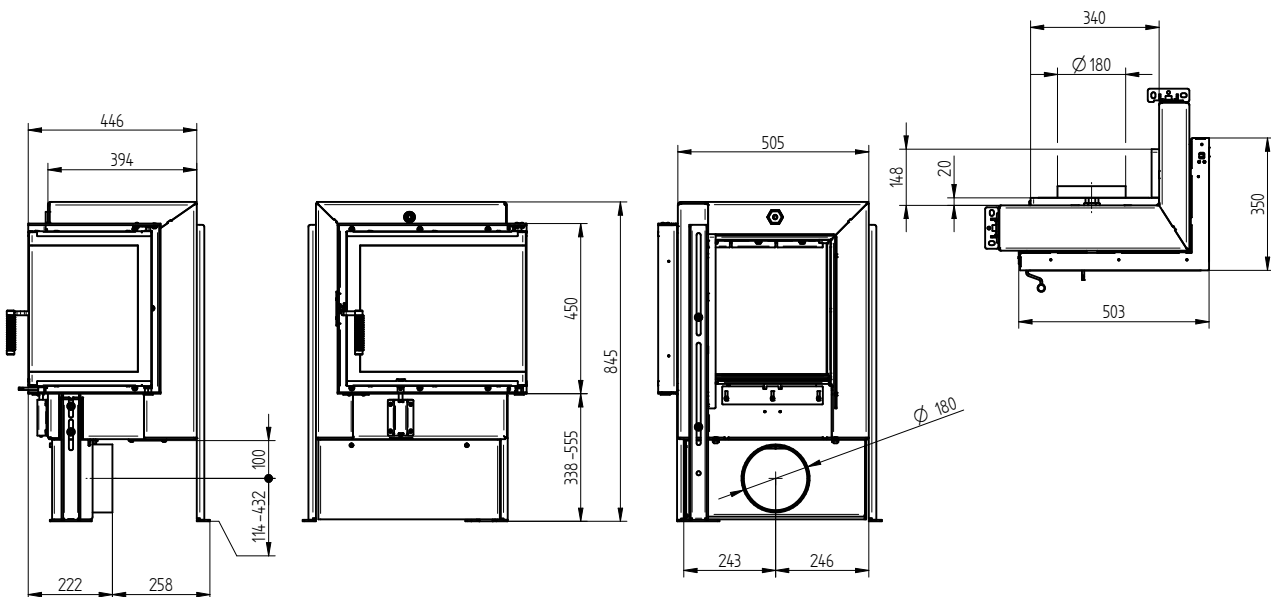
GT 50/35/45R 15a

Technical data
Version 09/2023

GT 50/35/45R 15a with air control with external air connection $\text{\O}200$ mm



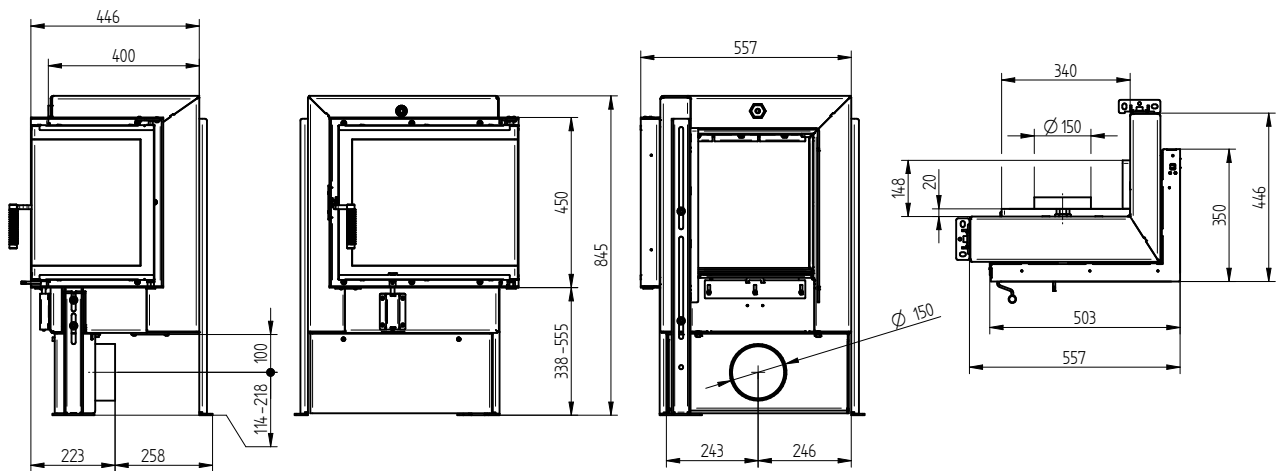
GT 50/35/45R 15a with air control with external air connection $\text{\O}180$ mm



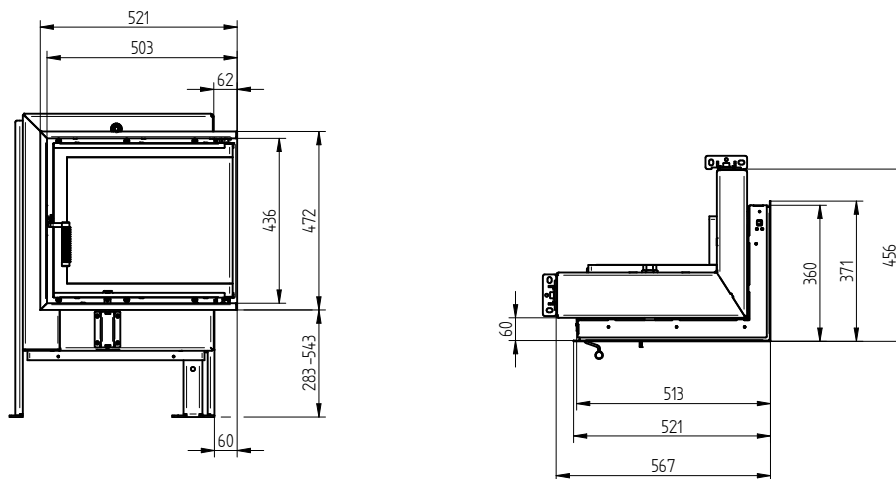
GT 50/35/45R 15a

Technical data
Version 09/2023

GT 50/35/45R 15a with air control with external air connection Ø150 mm



Cover frame GT 50/35/45R 15a with air control 6sides 1 x 90° 60 mm



Build-on frame GT 50/35/45R 15a with air control 6sides 80 mm

