

Technical data

	operation when directly connected to chimney		operation when connected accumulation mass		
	cupola	hot air exchanger	cupola	adaptor	
Energy label	A	A+	A+	A+	
Operating data					
Nominal heat power	6 kW	9 kW	----	----	
Efficiency	> 80 %	> 80 %	----	----	
Consumption of wood	1,8 kg/h	2,6 kg/h	8 kg	6 kg	8 kg
Total heat output of the burning chamber	----	----	30 kW	24 kW	30 kW
Average heat output / heat accumulation time ⁵	----	----	3 kW / 8 h	2,4 kW / 8 h	3 kW / 8 h
Mass flow of flue gas	6,1 g/s	7,5 g/s	25 g/s	20 g/s	25 g/s
Required chimney pressure	12 Pa	12 Pa	12 Pa	15 Pa	16 Pa
Required amount of combustion air	20 m ³ /h	25 m ³ /h	70 m ³ /h	55 m ³ /h	70 m ³ /h
Average flue gas temperature					
on the output	232 °C	255 °C	524 °C	423 °C	530 °C
behind 5,3 m of ceramic accumulation system KMS 300 ¹	----	----	184 °C	----	
behind accumulation rings (5x acc. ring Ø440mm)	----	----	----	242 °C	----
behind accumulation rings (8x acc. ring Ø440mm)	----	----	----	----	260 °C
Heat distribution					
fireplace insert	74–84 %	74–84 %	38 %	34 %	
door glass (single / double)	26 / 16 %	26 / 16 %	26 / 16 %	26 / 16 %	
additional accumulation mass	----	----	36–46 %	40–50 %	
Information for ventilated builds					
Minimal grill area supply / outgoing	600 / 700 cm ²	900 / 1050 cm ²	900 / 1050 cm ²	900 / 1050 cm ²	
Minimum distance from insulated areas / floor	80 / 0 mm		80 / 0 mm		
Reference insulation ² ceiling / back wall / side wall / floor	140 / 100 / 100 / 0 mm		140 / 100 / 100 / 0 mm		
Calciumsilicate insulation ³ ceiling / back wall / side wall / floor	110 / 80 / 80 / 0 mm		110 / 80 / 80 / 0 mm		
Information for non-ventilated builds (closed grills)					
Minimum radiant area ⁴	suitable		6 m ²	4 m ²	6 m ²
Minimum distance from insulated areas / floor	80 / 20 mm		80 / 20 mm		
Reference insulation ² ceiling / back wall / side wall / floor	190 / 140 / 140 / 40 mm		190 / 140 / 140 / 40 mm		
Calciumsilicate insulation ³ ceiling / back wall / side wall / floor	140 / 110 / 110 / 25 mm		140 / 110 / 110 / 25 mm		
General technical information					
Total weight / lining weight	circa 193 / 88 kg		circa 193 / 88 kg		
Burning chamber dimensions (width x depth)	305 x 355 mm				
Combustion air connection	Ø 150 mm				
Use in non-ventilated accumulation builds according to craft rules	suitable				
Tested according to	EN 13229				
Meets values	1. BImSchV (Stufe2), 15a BVG				

1 Listed value from testing. For accurate results is evaluation of each system in the Ortnr / KOV program necessary

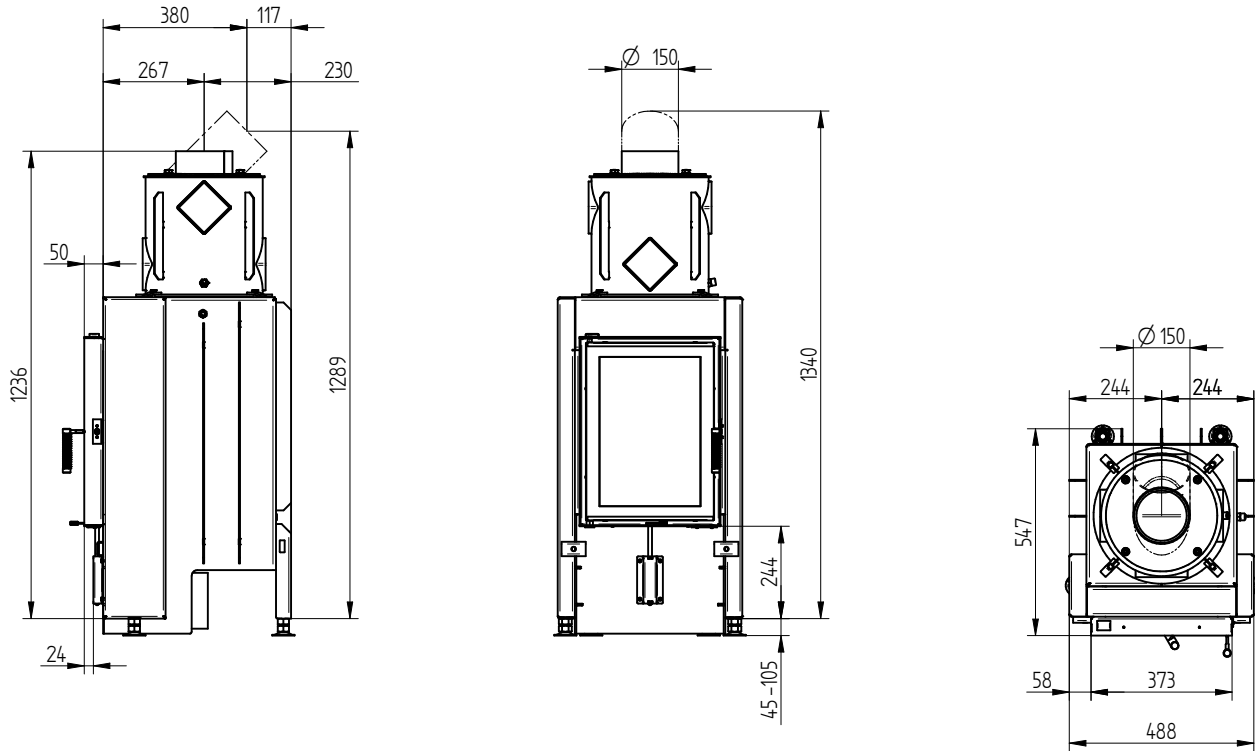
2 Mineral wool according to AGI-Q 132

3 Example SkamoEnclosure Board 225 kg/m³

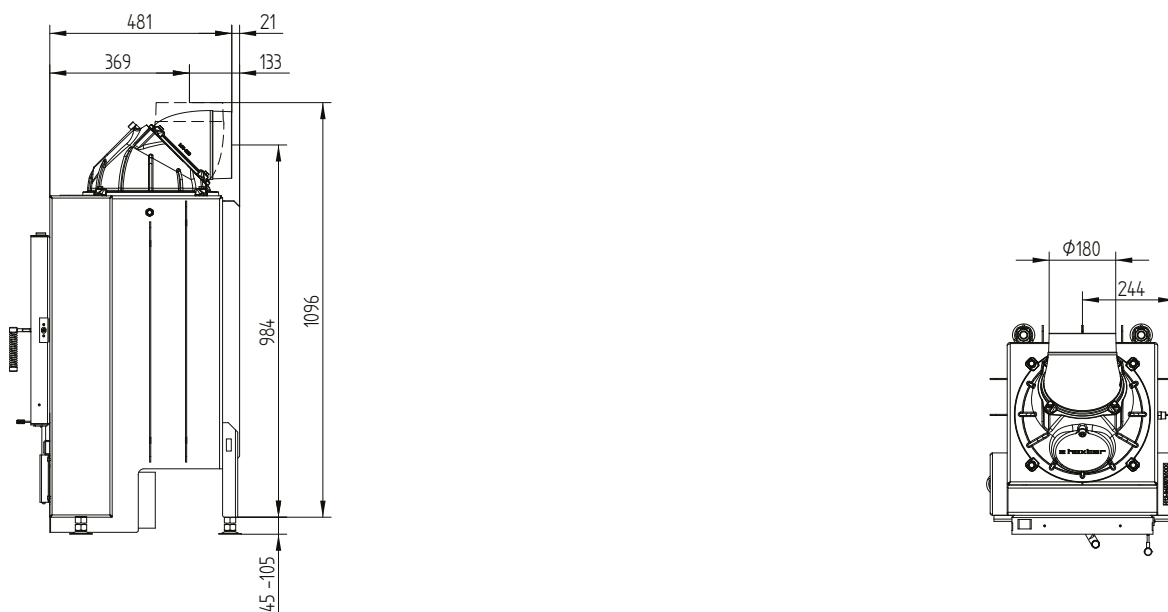
4 Depends on accumulation period and material characteristics. Listed values calculated with average specific heat output = approx. 500 W/m²

5 Storage operation, one wood charge for storage duration, with closed construction and efficiency > 80%

HAKA 37/50GN deep chamber secondary burning chamber hot air exchanger vertical / smoke outlet 45°



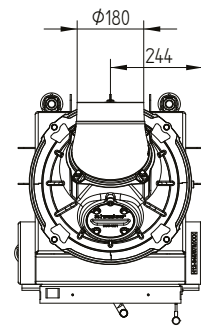
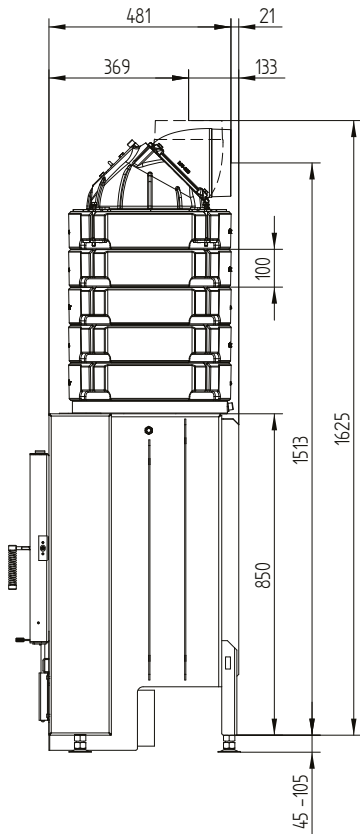
HAKA 37/50GN deep chamber secondary burning chamber cupola



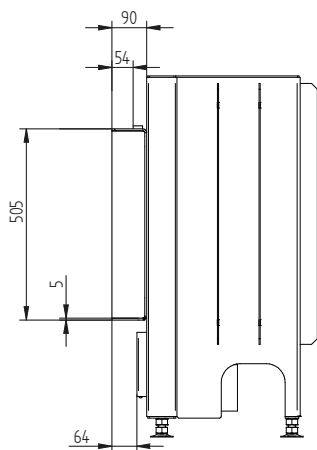
HAKA 37/50GN

Technical data
Version 09/2023

HAKA 37/50GN deep chamber secondary burning chamber accumulation set



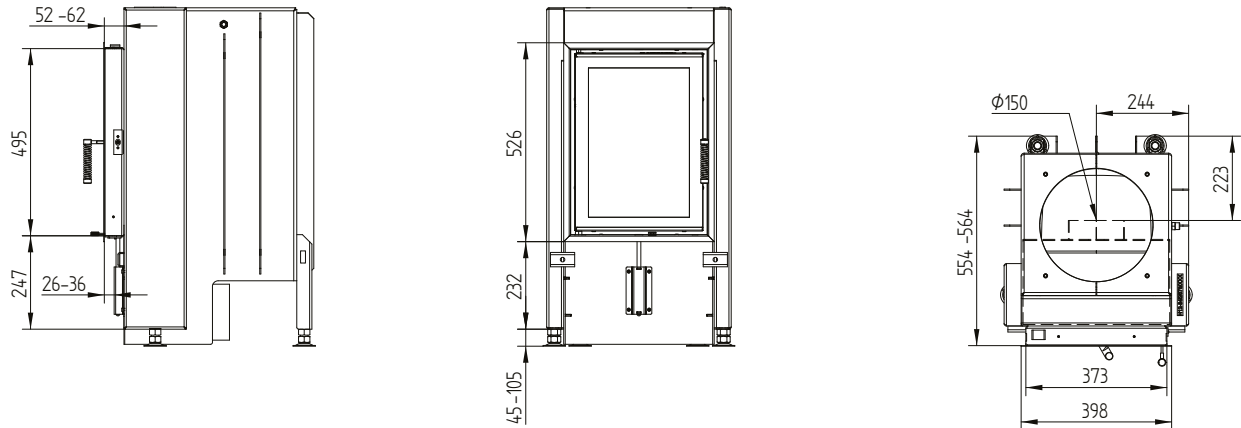
Door frame 37/50 90 mm thick. 5 mm



HAKA 37/50GN

Technical data
Version 09/2023

Cover frame 37/50 side opening 4sides 50 mm 1 x 90° / air inlet



Cover frame 37/50 side opening 4sides 80 mm 2 x 45° / feet

