

Technical data	operation when directly connected to chimney	operation when connected accumulation mass
Energy label	A	A
Operating data		
Nominal heat power	13,5 kW	----
Efficiency	> 80 %	----
Consumption of wood	3,8 kg/h	5,5 kg
Total heat output of the burning chamber	----	22 kW
Average heat output / heat accumulation time ⁵	----	2,2 kW / 8 h
Mass flow of flue gas	10,7 g/s	20 g/s
Required chimney pressure	12 Pa	12 Pa
Required amount of combustion air	35 m ³ /h	50 m ³ /h
Average flue gas temperature		
on the output	325 °C	365 °C
behind 3 m of ceramic accumulation system KMS 300 ¹	----	194 °C
Heat distribution		
fireplace insert	58–73 %	45 %
door glass (single / double)	42 / 27 %	42 / 27 %
additional accumulation mass	----	13–28 %
Information for ventilated builds		
Minimal grill area supply / outgoing	1200 / 1400 cm ²	1200 / 1400 cm ²
Minimum distance from insulated areas / floor	80 / 0 mm	80 / 0 mm
Reference insulation ² ceiling / back wall / side wall / floor	120 / 80 / 80 / 0 mm	120 / 80 / 80 / 0 mm
Calciumsilicate insulation ³ ceiling / back wall / side wall / floor	90 / 60 / 60 / 0 mm	90 / 60 / 60 / 0 mm
Information for non-ventilated builds (closed grills)		
Minimum radiant area ⁴	suitable	4,5 m ²
Minimum distance from insulated areas / floor	80 / 20 mm	80 / 20 mm
Reference insulation ² ceiling / back wall / side wall / floor	160 / 100 / 100 / 20 mm	160 / 100 / 100 / 20 mm
Calciumsilicate insulation ³ ceiling / back wall / side wall / floor	120 / 75 / 75 / 20 mm	120 / 75 / 75 / 20 mm
General technical information		
Total weight / lining weight	circa 410 / 147 kg	circa 410 / 147 kg
Burning chamber dimensions (width x depth)	810 x 315 mm	
Combustion air connection	Ø 150 mm	
Use in non-ventilated accumulation builds according to craft rules	suitable	
Tested according to	EN 13229	
Meets values	BlmSchV (Stufe2), 15a BVG	

1 Listed value from testing. For accurate results is evaluation of each system in the Ortnr / KOV program necessary

2 Mineral wool according to AGI-Q 132

3 Example SkamoEnclosure Board 225 kg/m³

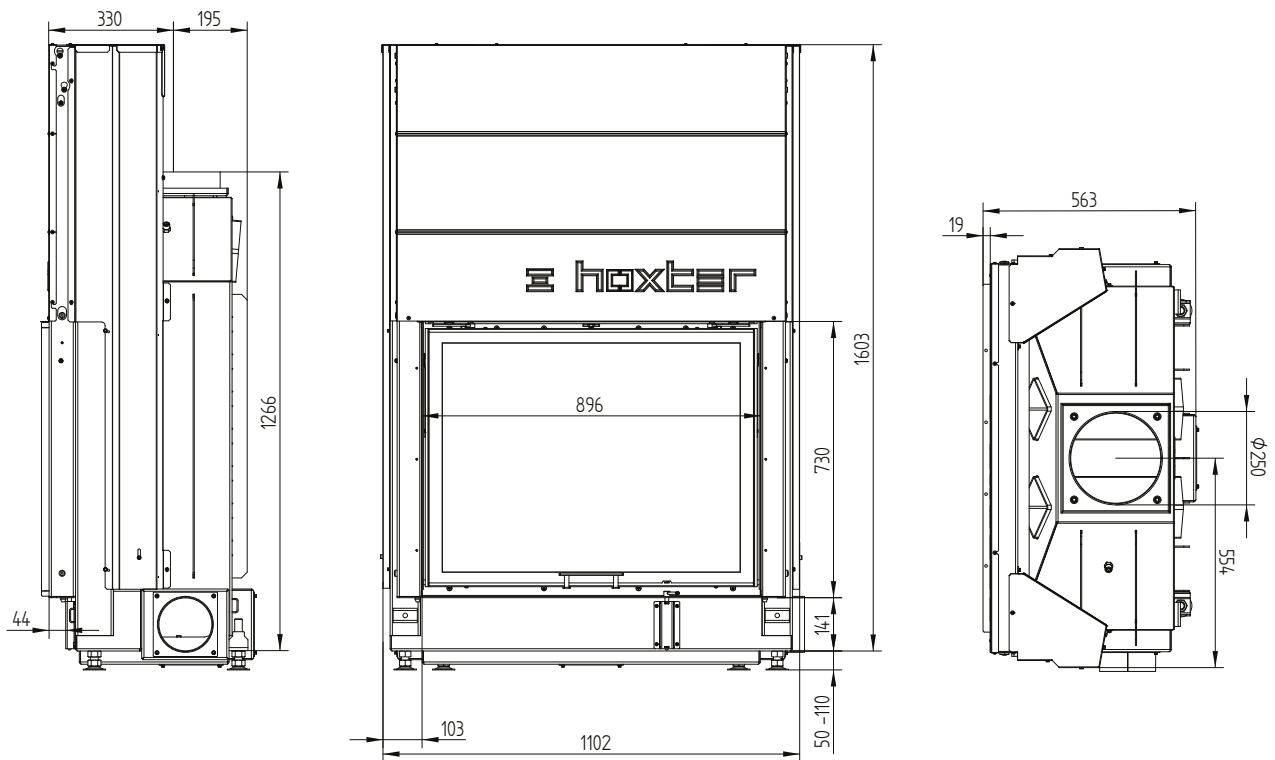
4 Depends on accumulation period and material characteristics. Listed values calculated with average specific heat output = approx. 500 W/m²

5 Storage operation, one wood charge for storage duration, with closed construction and efficiency > 80%

HAKA 89/72h

Technical data
Version 09/2023

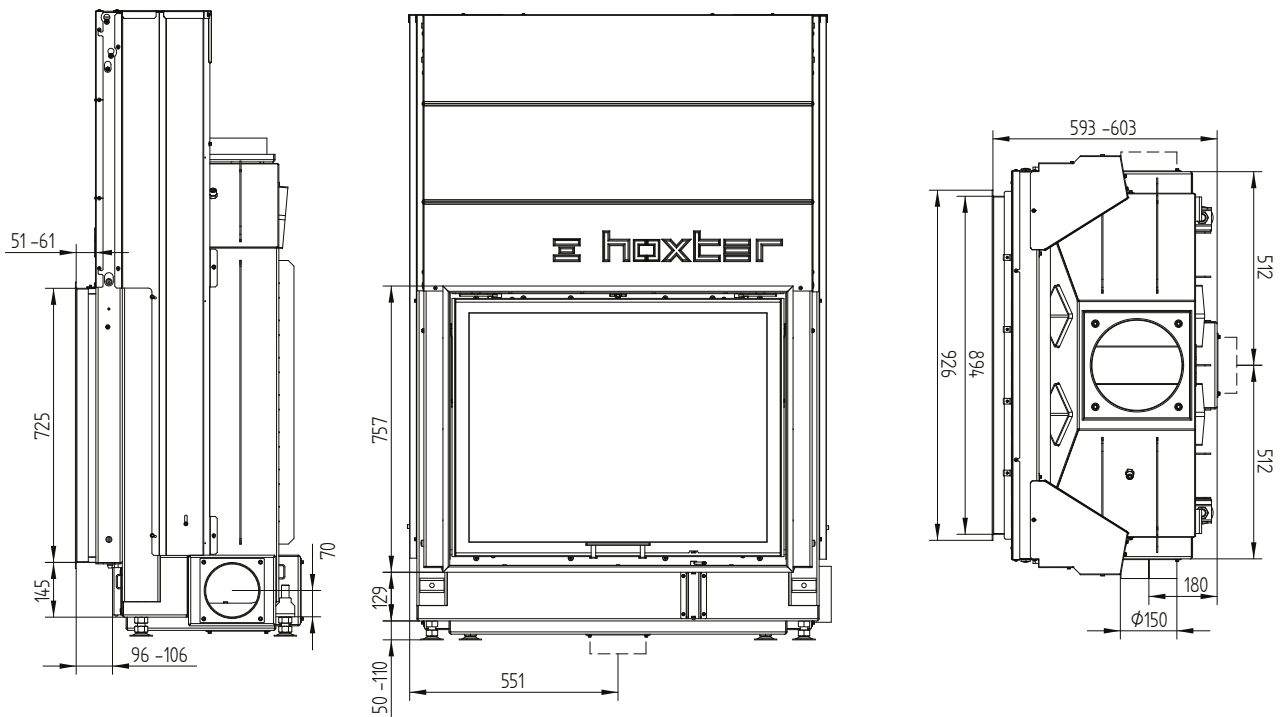
HAKA 89/72h liftdoor



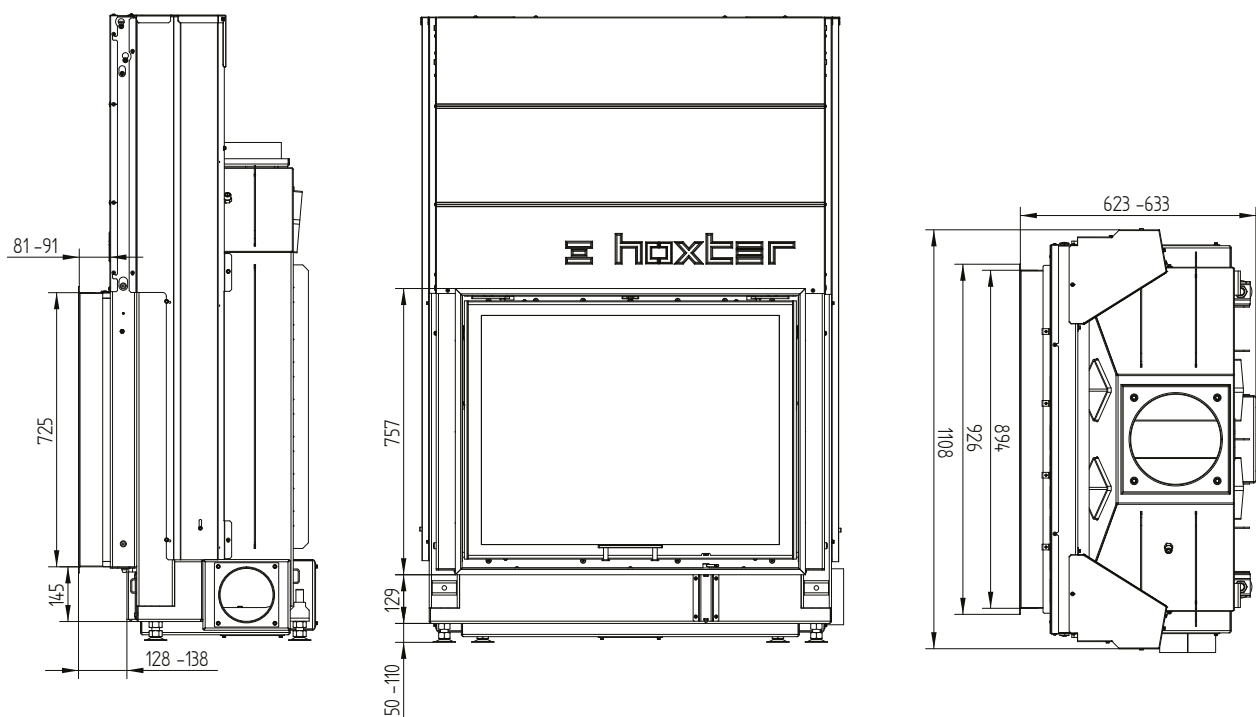
HAKA 89/72h

Technical data
Version 09/2023

Cover frame 89/72h liftdoor 4sides 50 mm 1 x 90° / air inlet



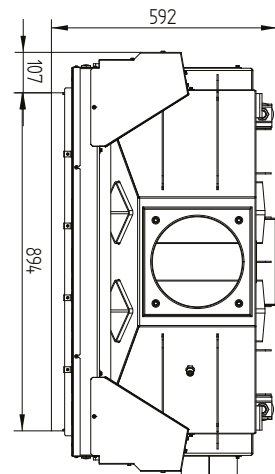
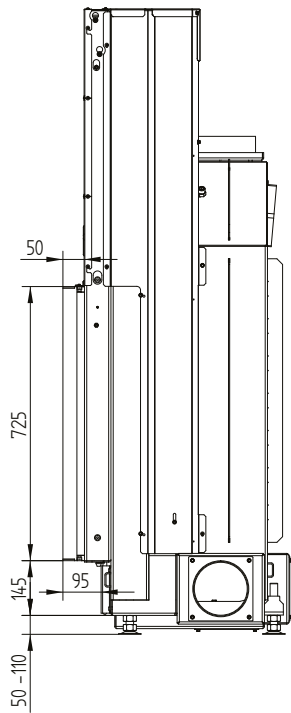
Cover frame 89/72h liftdoor 4sides 80 mm 1 x 90°



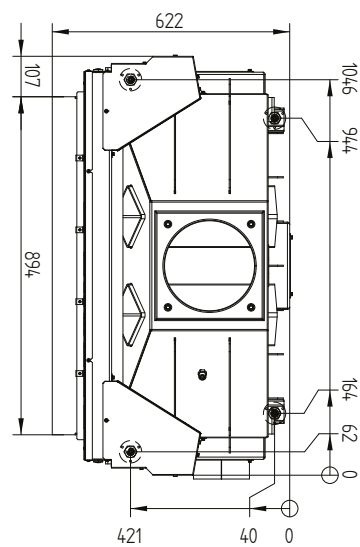
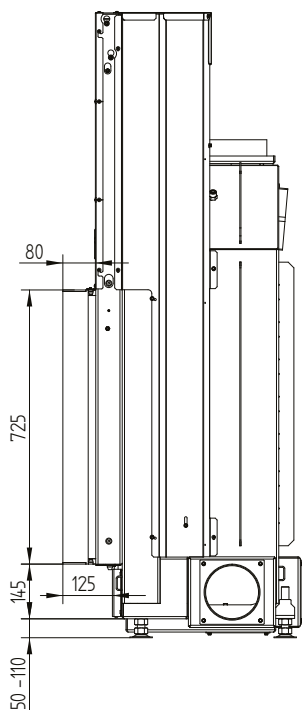
HAKA 89/72h

Technical data
Version 09/2023

Build-on frame 89/72h liftdoor 4sides 50 mm



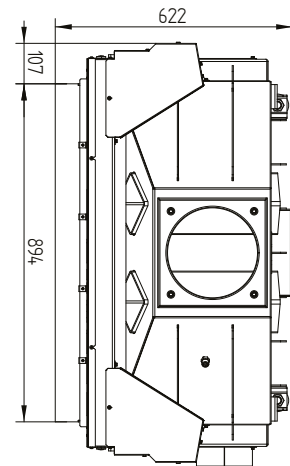
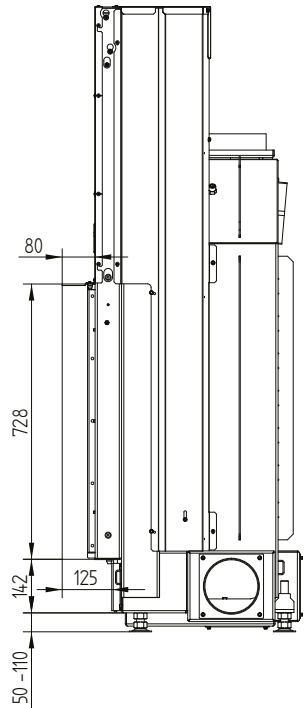
Build-on frame 89/72h liftdoor 4sides 80 mm / feet



HAKA 89/72h

Technical data
Version 09/2023

Build-on frame 89/72h liftdoor 3sides 80 mm



Convection jacket 89/72h liftdoor

