

Technical data	operation when directly connected to chimney		operation when connected accumulation mass	
	A		A	
Energy label	A		A	
<b>Operating data</b>				
Nominal heat power	13 kW		----	
Efficiency	> 80 %		----	
Consumption of wood	3,7 kg/h		5 kg	
Total heat output of the burning chamber	----		20 kW	
Average heat output / heat accumulation time <sup>5</sup>	----		2 kW / 8 h	
Mass flow of flue gas	9,7 g/s		15 g/s	
Required chimney pressure	12 Pa		12 Pa	
Required amount of combustion air	35 m <sup>3</sup> /h		45 m <sup>3</sup> /h	
<b>Average flue gas temperature</b>				
on the output	332 °C		369 °C	
behind 2,4 m of ceramic accumulation system KMS 300 <sup>1</sup>	----		233 °C	
behind S-accumulation rings (5x S-acc. ring Ø345mm)	----		221 °C	
<b>Heat distribution</b>				
fireplace insert	48 %		35 %	
door glass (single / double)	52 / 0 %		52 / 0 %	
additional accumulation mass	----		13 %	
<b>Information for ventilated builds</b>				
Minimal grill area supply / outgoing	1050 / 1250 cm <sup>2</sup>		1050 / 1250 cm <sup>2</sup>	
Minimum distance from insulated areas / floor	50 / 0 mm		50 / 0 mm	
Reference insulation <sup>2</sup> ceiling / back wall / side wall / floor	120 / 70 / 0 / 0 mm		120 / 70 / 0 / 0 mm	
Calciumsilicate insulation <sup>3</sup> ceiling / back wall / side wall / floor	80 / 50 / 0 / 0 mm		80 / 50 / 0 / 0 mm	
<b>Information for non-ventilated builds (closed grills)</b>				
Minimum radiant area <sup>4</sup>	suitable		4 m <sup>2</sup>	
Minimum distance from insulated areas / floor	50 / 20 mm		50 / 20 mm	
Reference insulation <sup>2</sup> ceiling / back wall / side wall / floor	190 / 90 / 0 / 20 mm		190 / 90 / 0 / 20 mm	
Calciumsilicate insulation <sup>3</sup> ceiling / back wall / side wall / floor	120 / 70 / 0 / 20 mm		120 / 70 / 0 / 20 mm	
<b>General technical information</b>				
Total weight / lining weight	circa 326 / 89 kg		circa 326 / 89 kg	
Burning chamber dimensions (width x depth)	720 x 305 mm			
Combustion air connection	Ø 150 mm			
Use in non-ventilated accumulation builds according to craft rules	suitable			
Tested according to	EN 13229			
Meets values	1. BImSchV (Stufe2), 15a BvG, NS 3059			

1 Listed value from testing. For accurate results is evaluation of each system in the Ortnr / KOV program necessary

2 Mineral wool according to AGI-Q 132

3 Example SkamoEnclosure Board 225 kg/m<sup>3</sup>

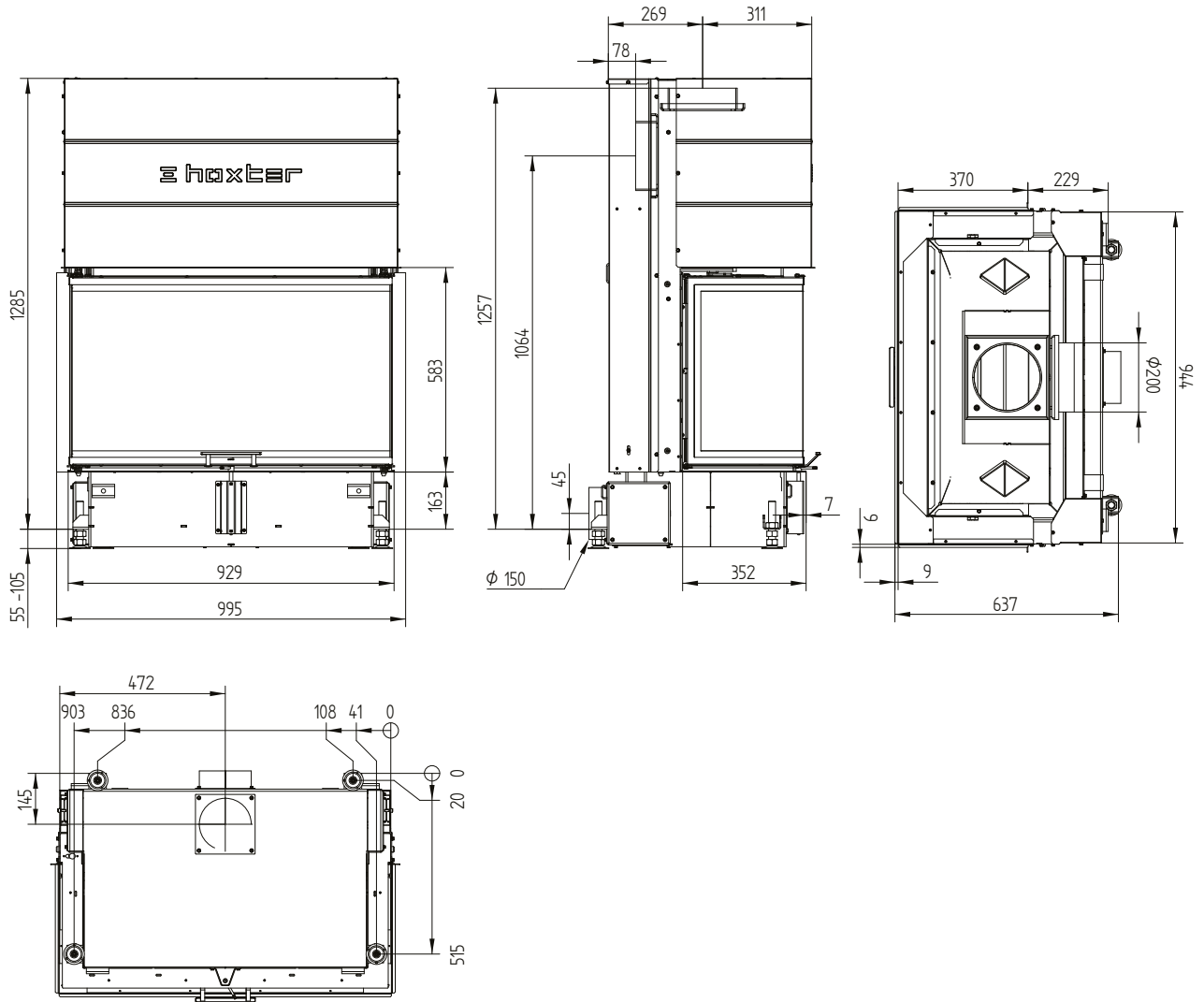
4 Depends on accumulation period and material characteristics. Listed values calculated with average specific heat output = approx. 500 W/m<sup>2</sup>

5 Storage operation, one wood charge for storage duration, with closed construction and efficiency > 80%

# UKA 37/95/37/57h

Technical data  
Version 09/2023

## UKA 37/95/37/57h / air inlet / feet

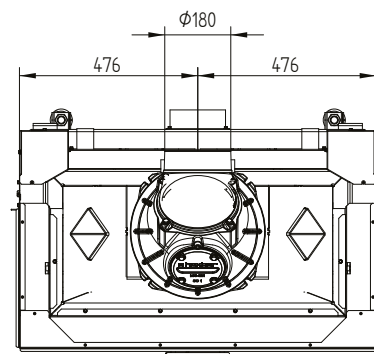
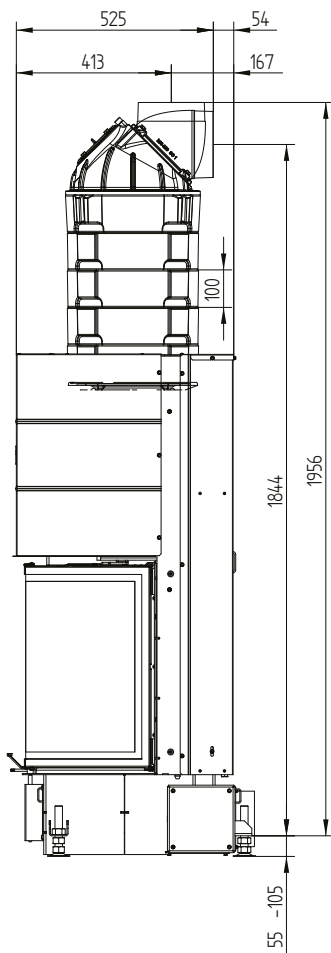


# UKA 37/95/37/57h

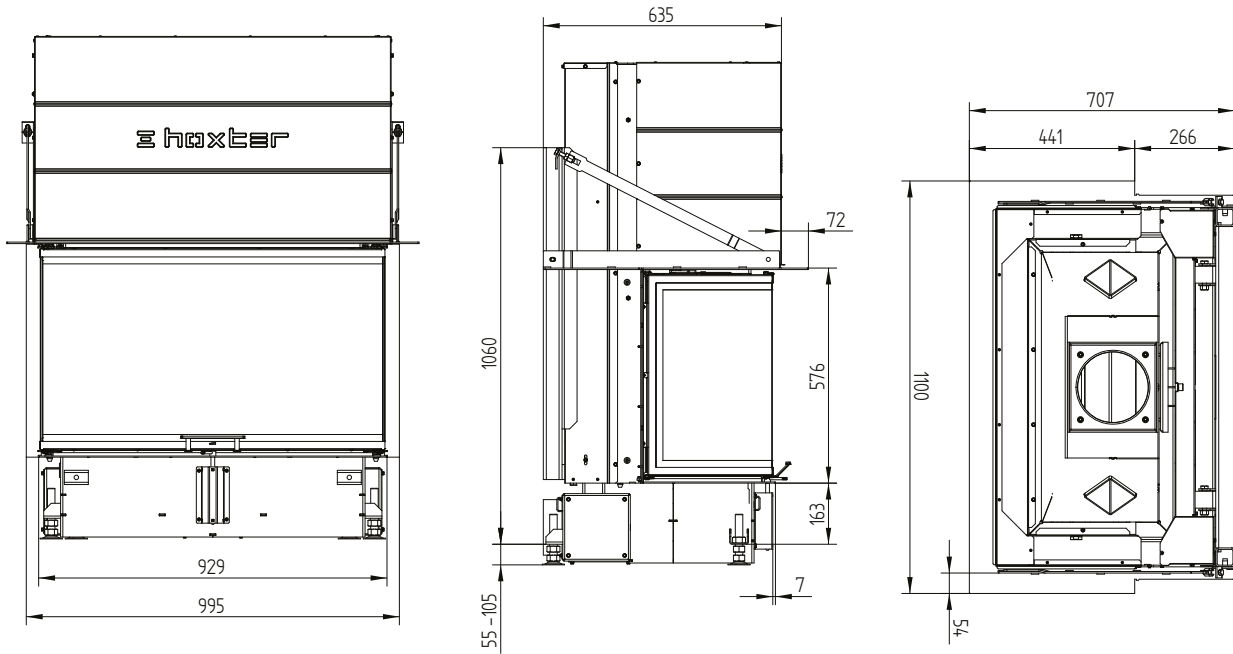
Technical data  
Version 09/2023

## UKA 37/95/37/57h S-accumulation set

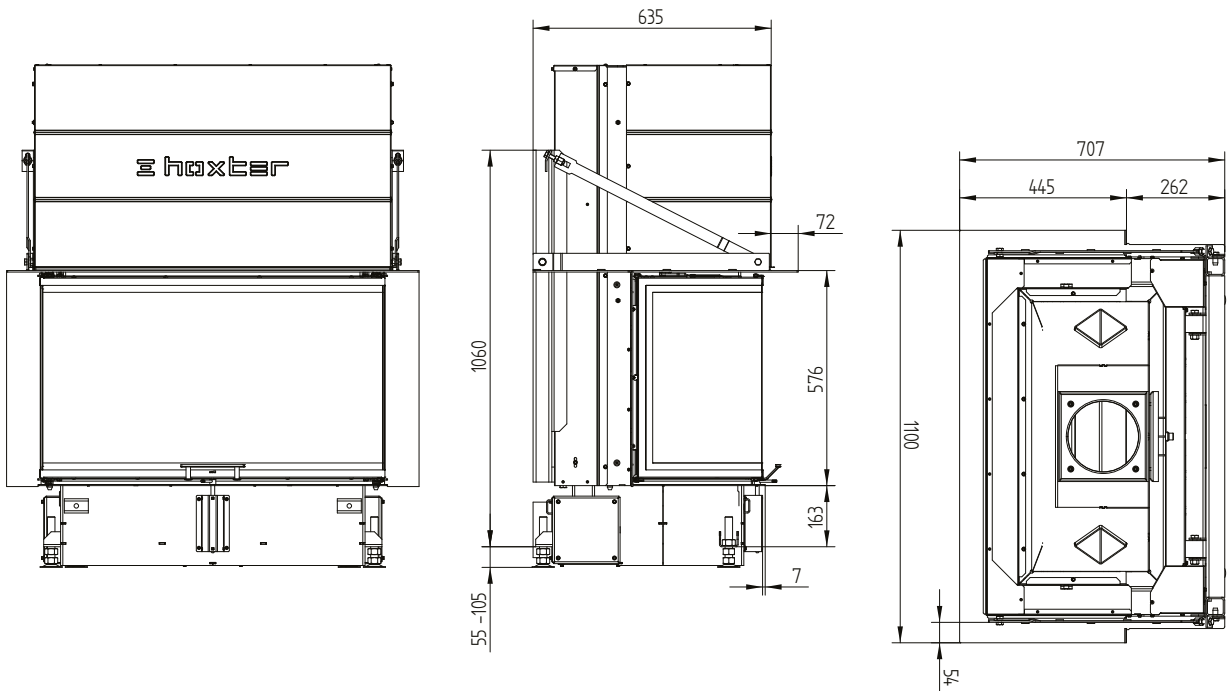
---



## UKA 37/95/37/57h supporting construction incl. build-on frame 3sides 70 mm



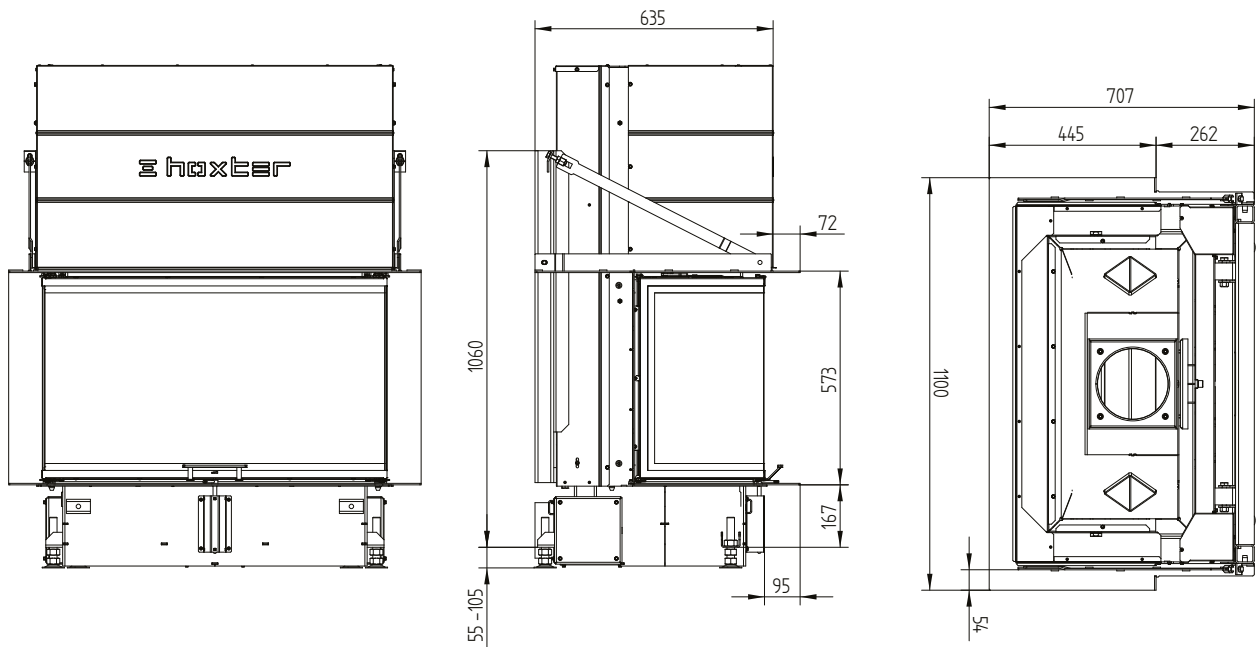
## UKA 37/95/37/57h supporting construction incl. build-on frame 5sides 70 mm



# UKA 37/95/37/57h

Technical data  
Version 09/2023

UKA 37/95/37/57h supporting construction incl. build-on frame 8sides 70 mm



Convection jacket UKA 37/95/37/57h

